

RIVERTON CITY RIVERTON BANK ACCESS PROJECT JORDAN RIVER - RIVERTON, UTAH JANUARY 2023

BID SET

SHEET INDEX

SHEET NO.	SHEET TITLE
G01	COVER SHEET
G02	CONSTRUCTION ACCESS & HORIZONTAL CONTROL PLAN
CW01	CARE OF WATER PLAN STAGE 1
CW02	CARE OF WATER PLAN STAGE 2
CW03	CONSTRUCTION ACCESS DETAILS
CW04	EROSION CONTROL DETAILS
CW05	CARE OF WATER DETAILS
CW06	COFFERDAM OPTION DETAILS
R01	BANK GRADING PLAN
R02	GRADING SECTIONS 1
R03	GRADING SECTIONS 2
L01	PLANTING PLAN-SOUTH
L02	PLANTING PLAN-NORTH
D01	BOULDER TOE & TERRACE DETAILS
D02	SLABSTONE TERRACE & STEP DETAILS
D03	ACCESS TRAIL & UPLAND FEATURE DETAILS
D04	EROSION CONTROL BLANKET DETAILS
D05	ROCK BARB & LIVE STAKING DETAILS

CONTACTS

Cary Necaie
Public Works Director
Riverton City
(801) 208-3169

Alex Heller, P.E.
Project Manager/Engineer
RiverRestoration.org, LLC.
(970) 947-9568

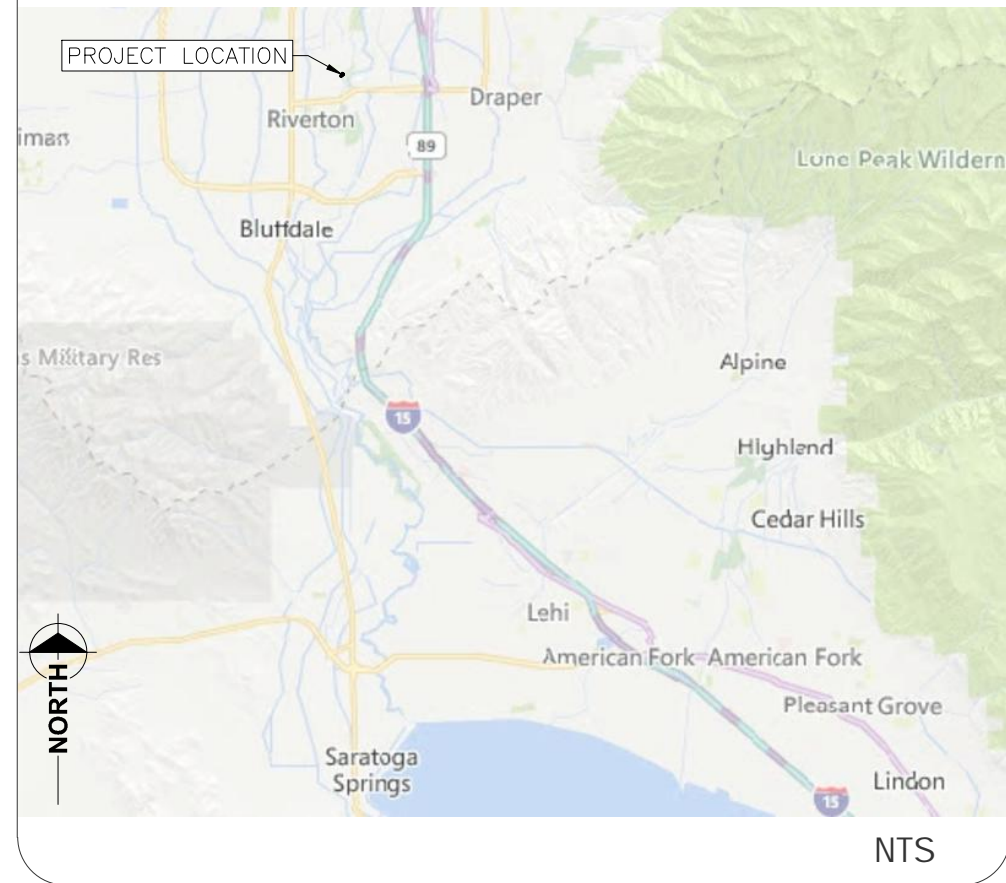
Quinn Donnelly, P.E.
Project Engineer
RiverRestoration.org, LLC.
(970) 947-9568

Jack Dahlquist
Watershed Scientist
RiverRestoration.org, LLC.
(210) 246-3581

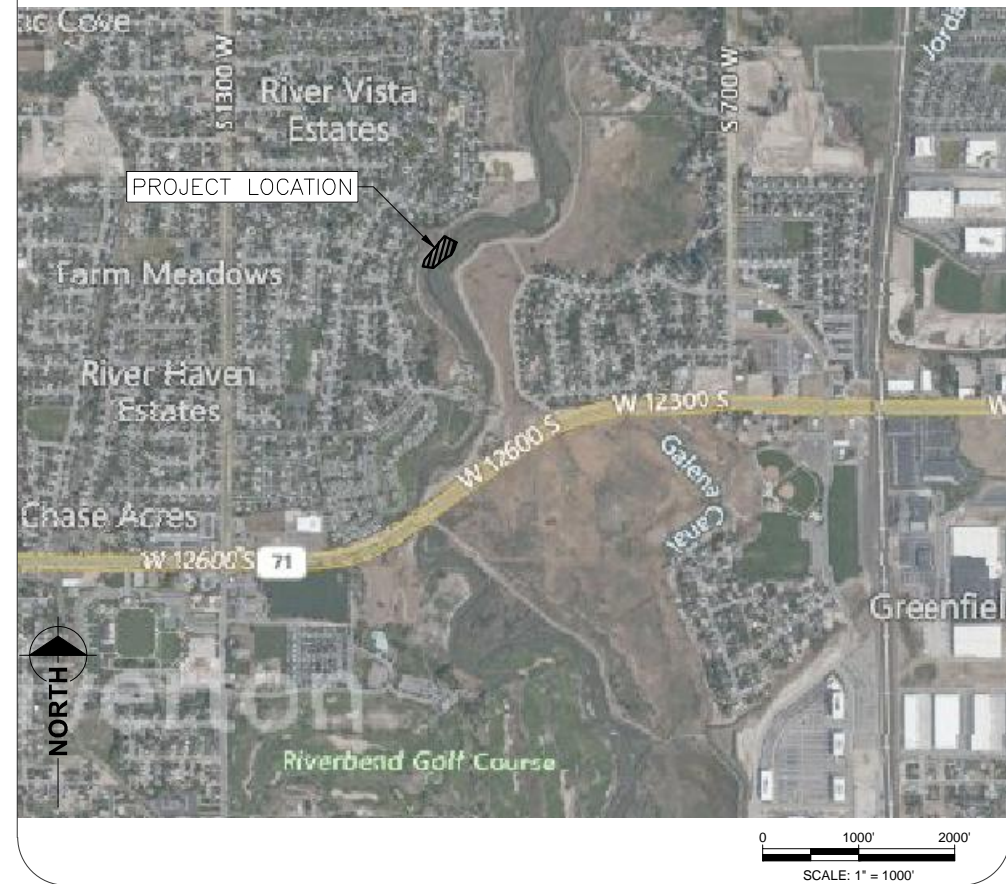
PROJECT LOCATION

COORDINATES:
LATITUDE: 40°31'52.3" N
LONGITUDE: 111°55'16.9" W

VICINITY MAP



LOCATION MAP



PROFESSIONAL ENGINEER STAMP



RIVERTON BANK ACCESS COVER SHEET

No.	REVISION/UPDATE	Date

CLIENT NAME AND ADDRESS



Riverton City
12830 S Redwood Road
Riverton, UT 84065
(801) 254-0704



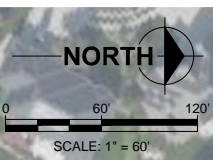
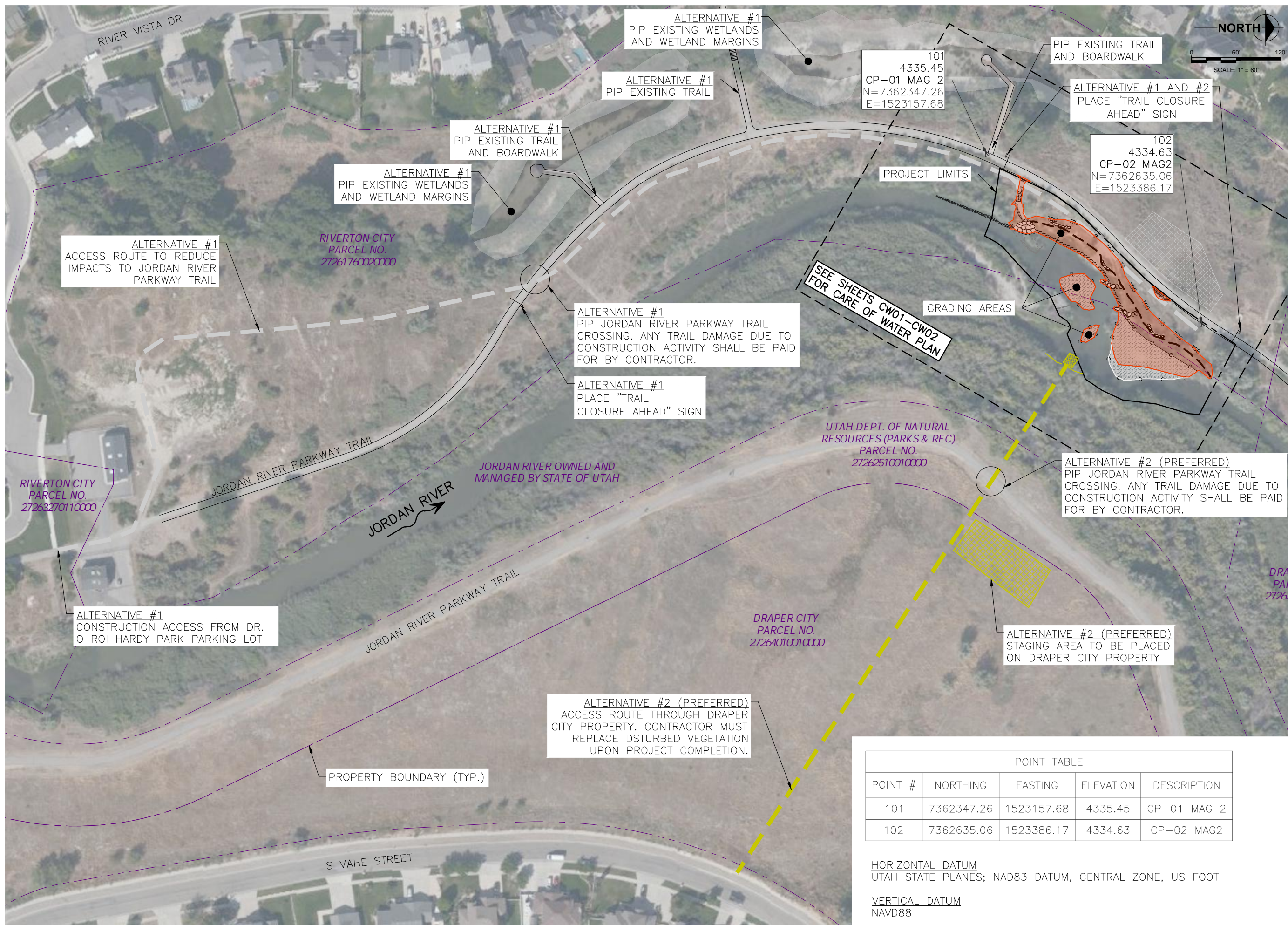
RiverRestoration
P.O. Box 248
Carbondale, CO 81623
www.RiverRestoration.org

PROJECT NAME AND ADDRESS

Riverton Bank Stabilization
Riverton, UT 84065

Project 45068	Sheet G01
Date January 2023	
Scale NTS	

BID SET



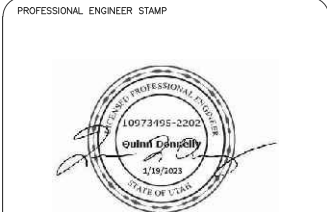
SEE SHEETS CW01-CW02 FOR CARE OF WATER PLAN

POINT TABLE

POINT #	NORTHING	EASTING	ELEVATION	DESCRIPTION
101	7362347.26	1523157.68	4335.45	CP-01 MAG 2
102	7362635.06	1523386.17	4334.63	CP-02 MAG2

HORIZONTAL DATUM
UTAH STATE PLANES; NAD83 DATUM, CENTRAL ZONE, US FOOT

VERTICAL DATUM
NAVD88



RIVERTON BANK ACCESS & CONSTRUCTION ACCESS & HORIZONTAL CONTROL PLAN

No.	REVISION/UPDATE	Date

CLIENT NAME AND ADDRESS

RIVERTON UTAH
Riverton City
12830 S Redwood Road
Riverton, UT 84065
(801) 254-0704

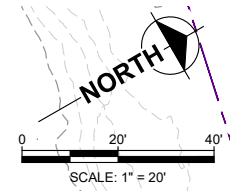
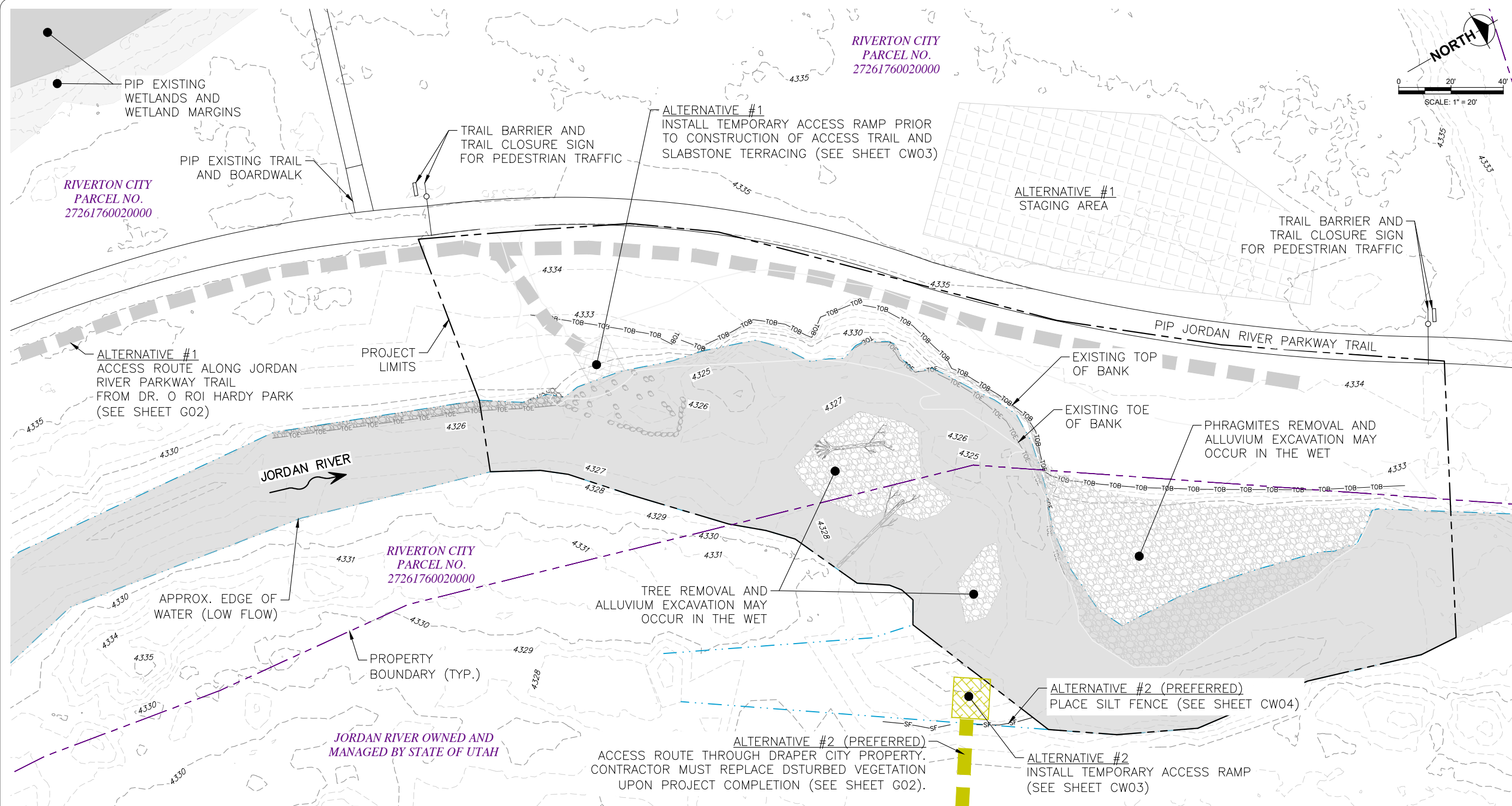
RiverRestoration
P.O. Box 248
Carbondale, CO 81623
www.RiverRestoration.org

PROJECT NAME AND ADDRESS

Riverton Bank Stabilization
Riverton, UT 84065

Project 45068	Sheet G02
Date January 2023	
Scale 1"=60' (FULL SIZE)	

BID SET



CARE OF WATER LEGEND

- COFFERDAM
- STAGING AREA
- TEMPORARY ACCESS RAMP
- ACCESS ROUTE
- TURBIDITY CURTAIN
- OIL BOOM
- PUMP AND FILTER
- SILT FENCE
- TRAIL BARRIER
- TRAIL SIGNAGE

CARE OF WATER NOTES:

1. THE CONTRACTOR SHALL BE RESPONSIBLE FOR COMPLIANCE WITH ALL LOCAL, STATE, AND FEDERAL REGULATIONS AND BEST MANAGEMENT PRACTICES (BMPs).
2. BMPs SHOWN ON THESE DRAWINGS ARE APPROXIMATE. THE CONTRACTOR SHALL BE RESPONSIBLE FOR DEVELOPMENT OF STAGING AREAS, ACCESS, SELECTION OF BMPs, AND CARE OF WATER DURING CONSTRUCTION.
3. WORK AREA ISOLATION FROM THE RIVER MAY BE NEEDED DURING PORTIONS OF THE IN-CHANNEL CONSTRUCTION; PARTICULARLY PLACEMENT OF BURIED BOULDER TOE PROTECTION, SLABSTONE TERRACE, AND ROCK VANES. THE CONTRACTOR IS WHOLLY RESPONSIBLE FOR DESIGN, IMPLEMENTATION, AND MANAGEMENT OF THE ISOLATION PLAN. SEE TECHNICAL SPECIFICATIONS FOR ANTICIPATED FLOW RATES AND WATER SURFACE ELEVATIONS (WSEs).
4. RECOMMENDED CONSTRUCTION PHASING IS AS FOLLOWS:
 - STAGE 1 (THIS SHEET): REMOVE AND HAUL OFF PHRAGMITES AND LARGE WOODY DEBRIS FROM AREAS SHOWN IN PLANS. EXCAVATE AND SORT ALLUVIAL MATERIAL FOR REUSE IN COFFERDAM AND/OR BACKFILL MATERIAL. ALLUVIAL MATERIAL USED FOR BACKFILL SHALL MEET THE GRADATIONS IN THE TECHNICAL SPECIFICATIONS..
 - STAGE 2: PLACE COFFERDAM TO ISOLATE THE WEST (LEFT) BANK FOR PLACEMENT OF SLABSTONE TERRACE, BOULDER FOOTERS, AND WETLAND SOD.
 - STAGE 3: REMOVE COFFERDAM AND CONSTRUCT UPLAND FEATURES. SEED AND PLANT BANKS AS SHOWN ON L SHEETS.

RIVERTON BANK ACCESS
CARE OF WATER PLAN
STAGE I

No.	REVISION/UPDATE	Date

CLIENT NAME AND ADDRESS

Riverton City
12830 S Redwood Road
Riverton, UT 84065
(801) 254-0704

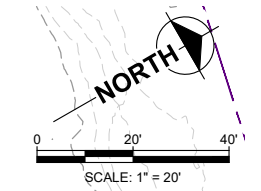
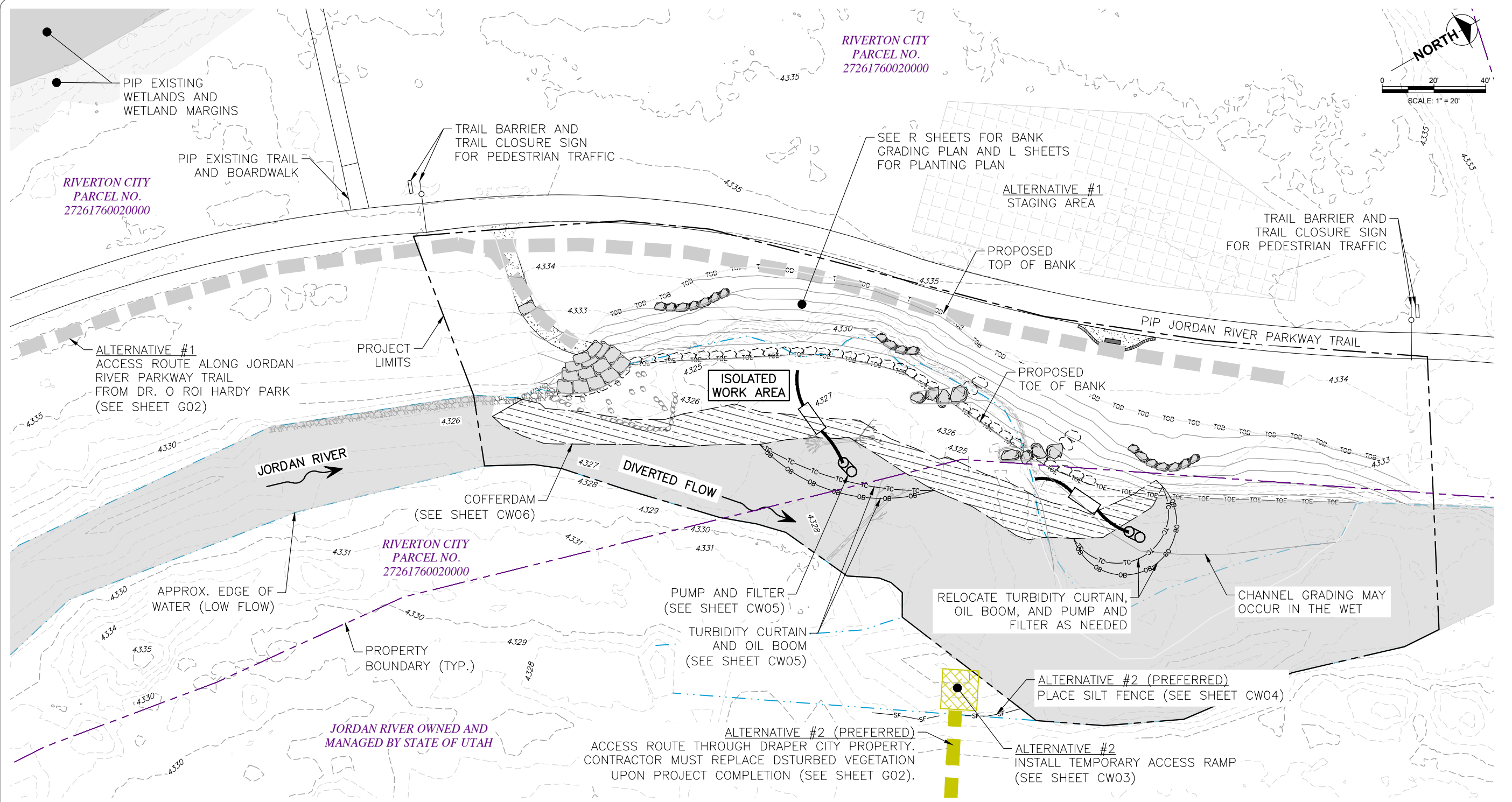
RiverRestoration
P.O. Box 248
Carbondale, CO 81623
www.RiverRestoration.org

PROJECT NAME AND ADDRESS

Riverton Bank Stabilization
Riverton, UT 84065

Project 45068	Sheet CWO 1
Date January 2023	Scale 1" = 20' (FULL SIZE)

BID SET



- CARE OF WATER LEGEND**
- COFFERDAM
 - STAGING AREA
 - TEMPORARY ACCESS RAMP
 - ACCESS ROUTE
 - TURBIDITY CURTAIN
 - OIL BOOM
 - PUMP AND FILTER
 - SILT FENCE
 - TRAIL BARRIER
 - TRAIL SIGNAGE

- CARE OF WATER NOTES:**
- THE CONTRACTOR SHALL BE RESPONSIBLE FOR COMPLIANCE WITH ALL LOCAL, STATE, AND FEDERAL REGULATIONS AND BEST MANAGEMENT PRACTICES (BMPs).
 - BMPs SHOWN ON THESE DRAWINGS ARE APPROXIMATE. THE CONTRACTOR SHALL BE RESPONSIBLE FOR DEVELOPMENT OF STAGING AREAS, ACCESS, SELECTION OF BMPs, AND CARE OF WATER DURING CONSTRUCTION.
 - WORK AREA ISOLATION FROM THE RIVER MAY BE NEEDED DURING PORTIONS OF THE IN-CHANNEL CONSTRUCTION; PARTICULARLY PLACEMENT OF BURIED BOULDER TOE PROTECTION, SLABSTONE TERRACE, AND ROCK VANES. THE CONTRACTOR IS WHOLLY RESPONSIBLE FOR DESIGN, IMPLEMENTATION, AND MANAGEMENT OF THE ISOLATION PLAN. SEE TECHNICAL SPECIFICATIONS FOR ANTICIPATED FLOW RATES AND WATER SURFACE ELEVATIONS (WSEs).
 - RECOMMENDED CONSTRUCTION PHASING IS AS FOLLOWS:
 - STAGE 1:** REMOVE AND HAUL OFF PHRAGMITES AND LARGE WOODY DEBRIS FROM AREAS SHOWN IN PLANS. EXCAVATE AND SORT ALLUVIAL MATERIAL FOR REUSE IN COFFERDAM AND/OR BACKFILL MATERIAL. ALLUVIAL MATERIAL USED FOR BACKFILL SHALL MEET THE GRADATIONS IN THE TECHNICAL SPECIFICATIONS..
 - STAGE 2 (THIS SHEET):** PLACE COFFERDAM TO ISOLATE THE WEST (LEFT) BANK FOR PLACEMENT OF SLABSTONE TERRACE, BOULDER FOOTERS, AND WETLAND SOD.
 - STAGE 3:** REMOVE COFFERDAM AND CONSTRUCT UPLAND FEATURES. SEED AND PLANT BANKS AS SHOWN ON L SHEETS.

**RIVERTON BANK ACCESS
CARE OF WATER PLAN
STAGE 2**

No.	REVISION/UPDATE	Date

CLIENT NAME AND ADDRESS

RIVERTON UTAH

Riverton City
12830 S Redwood Road
Riverton, UT 84065
(801) 254-0704

RIVER RESTORATION.ORG

RiverRestoration
P.O. Box 248
Carbondale, CO 81623
www.RiverRestoration.org

PROJECT NAME AND ADDRESS

Riverton Bank Stabilization
Riverton, UT 84065

Project 45068	Sheet CW02
Date January 2023	
Scale 1" = 20' (FULL SIZE)	

BID SET



RIVERTON BANK ACCESS CONSTRUCTION ACCESS DETAILS

No.	REVISION/UPDATE	Date

CLIENT NAME AND ADDRESS



Riverton City
12830 S Redwood Road
Riverton, UT 84065
(801) 254-0704



RiverRestoration
P.O. Box 248
Carbondale, CO 81623
www.RiverRestoration.org

PROJECT NAME AND ADDRESS

Riverton Bank Stabilization
Riverton, UT 84065

Project
45068

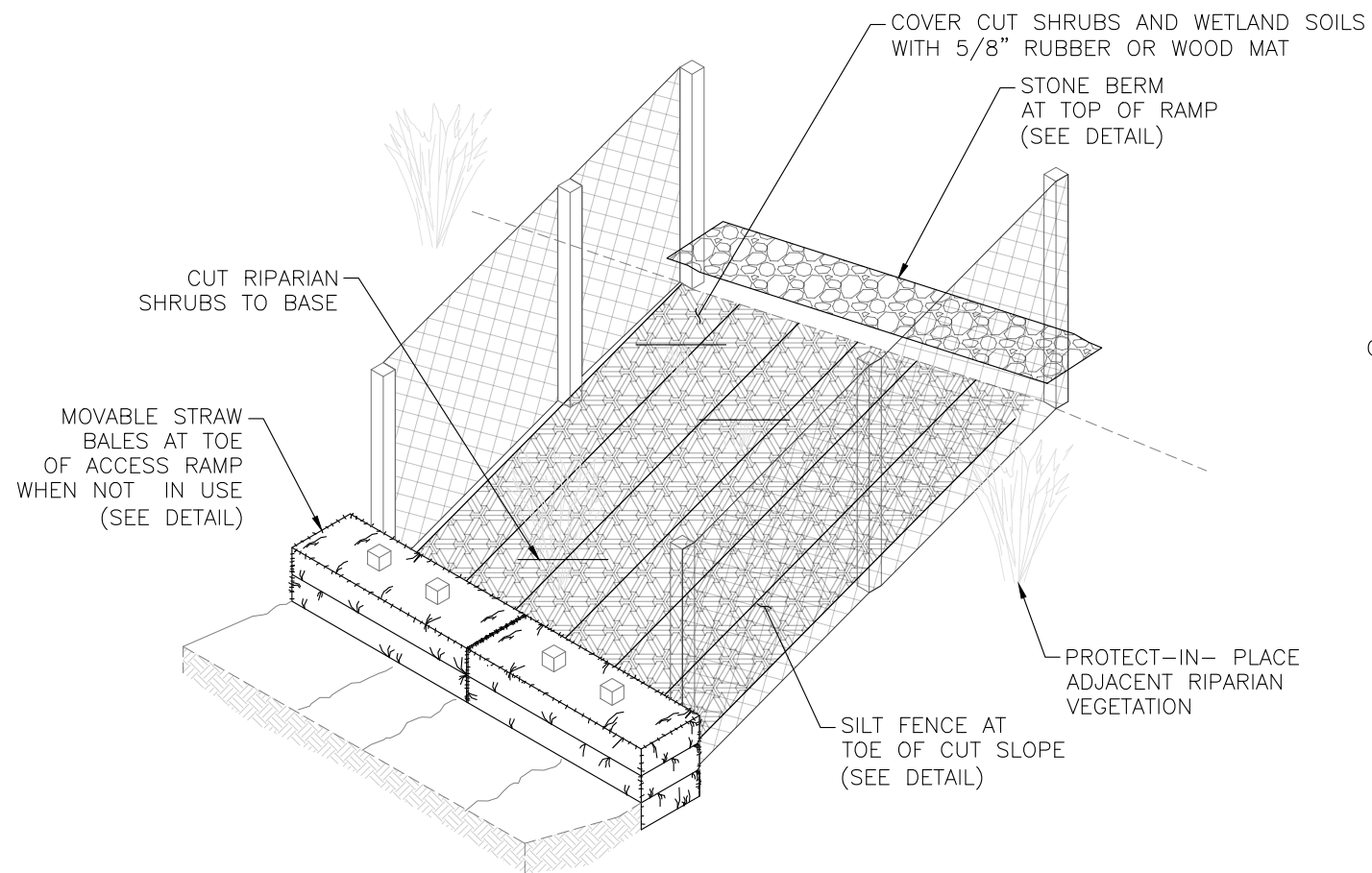
Date
January 2023

Scale
NTS

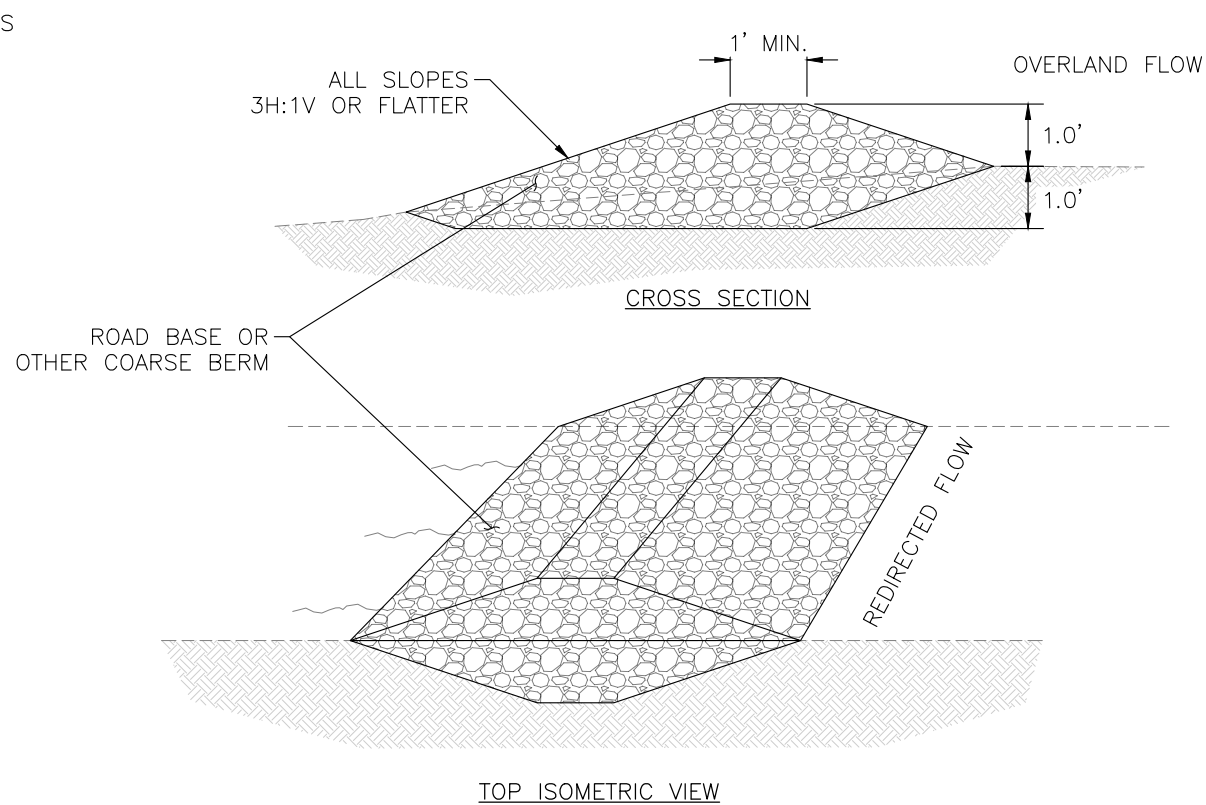
Sheet

CW03

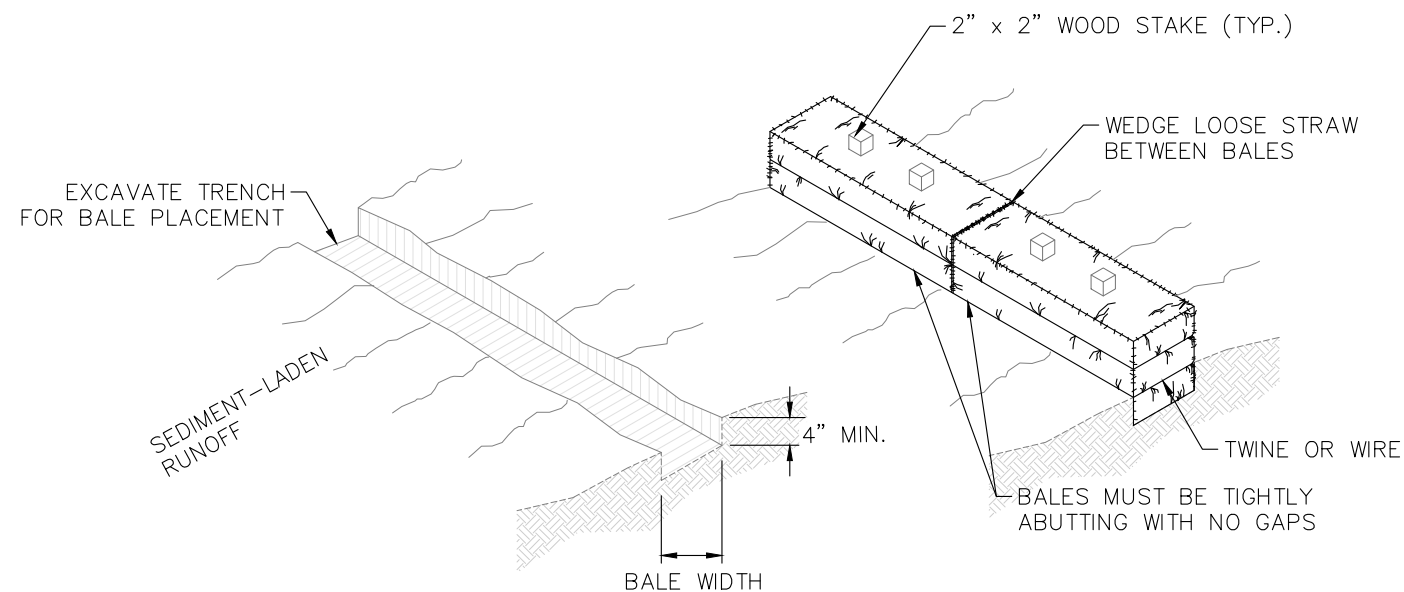
BID SET



1 TEMPORARY EQUIPMENT ACCESS (TYP)
CW03 NTS



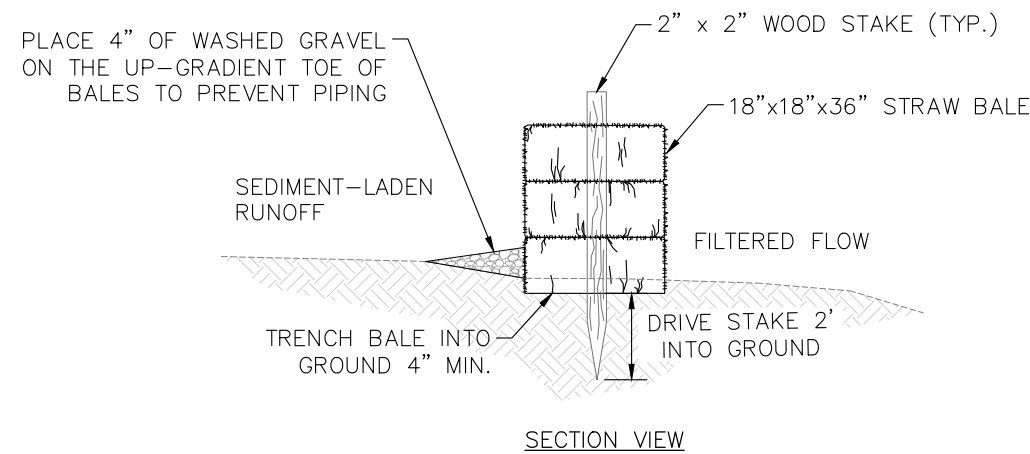
3 STONE BERM (TYP)
CW03 NTS



2 STRAW BALE INSTALLATION (TYP)
CW03 NTS

STRAW BALE INSTALLATION NOTES:

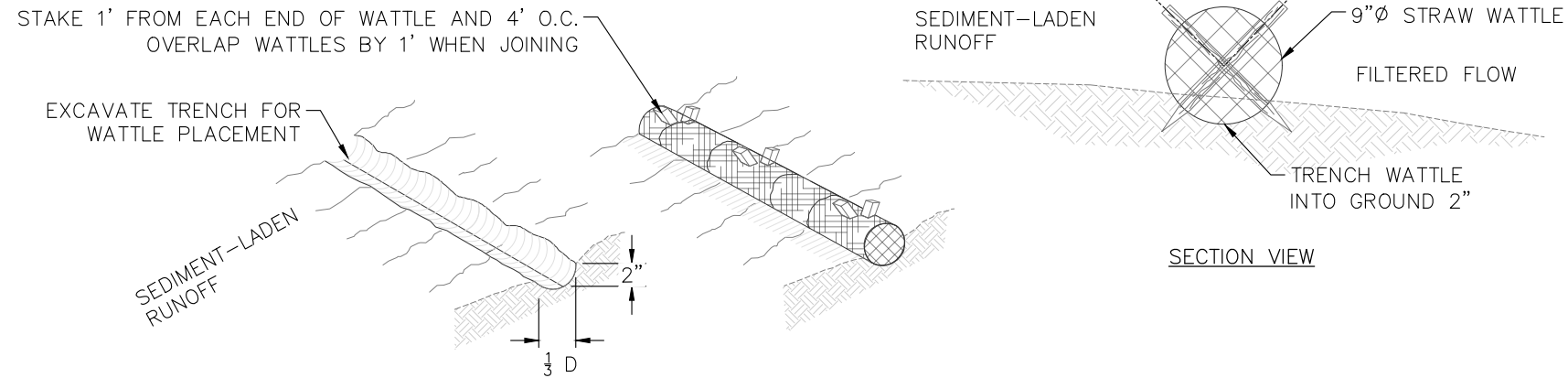
1. EXCAVATE TRENCH 4" MIN.
2. PLACE AND STAKE STRAW BALES.
3. STRAW BALES SHALL BE CERTIFIED "WEED-FREE" AND NOT HAY.



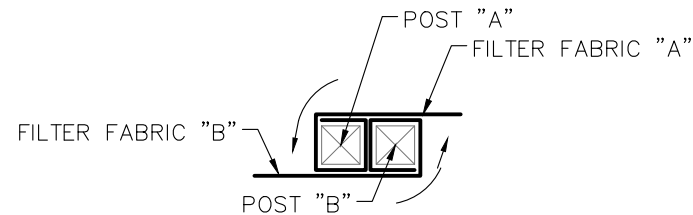
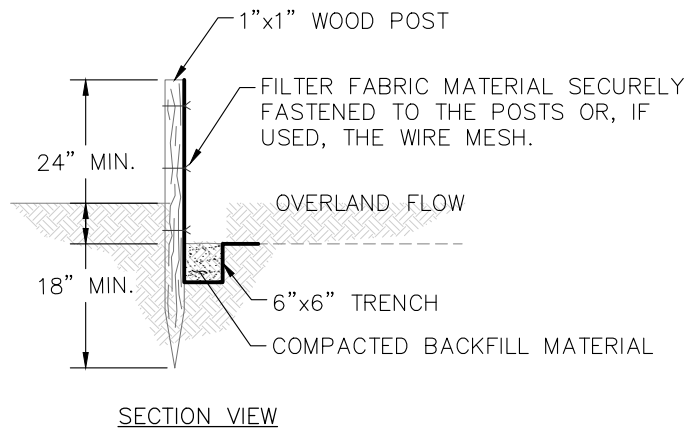
SECTION VIEW

STRAW WATTLE INSTALLATION NOTES:

1. EXCAVATE TRENCH 2".
2. PLACE AND STAKE WATTLE.
3. PLACE SPOILS UP-SLOPE FROM WATTLE, KNIFE-IN AND COMPACT.



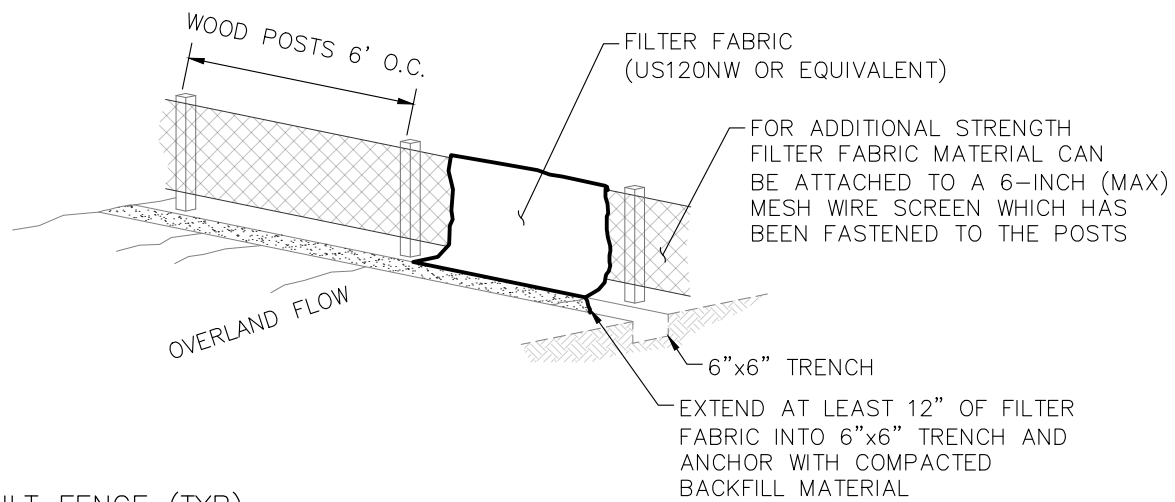
1 STRAW WATTLE/EROSION CONTROL LOG INSTALLATION (TYP)
NTS



JOINING SECTION DETAIL (PLAN VIEW)

SILT FENCE JOINING NOTES:

1. WRAP APPROXIMATELY 6" OF FILTER FABRIC OF EACH END AROUND A WOODEN POST ONE FULL TURN, THEN SECURED ALONG THE POST WITH HEAVY DUTY WIRE STAPLES AT LEAST 1" LONG.
2. POST SHALL BE TIGHTLY ABUTTED WITH NO GAPS TO PREVENT POTENTIAL FLOW-THROUGH OF SEDIMENT AT JOINT.



END SECTION DETAIL (PLAN VIEW)

2 SILT FENCE (TYP)
NTS

PROFESSIONAL ENGINEER STAMP



RIVERTON BANK ACCESS
EROSION CONTROL
DETAILS

No.	REVISION/UPDATE	Date

CLIENT NAME AND ADDRESS



Riverton City
12830 S Redwood Road
Riverton, UT 84065
(801) 254-0704

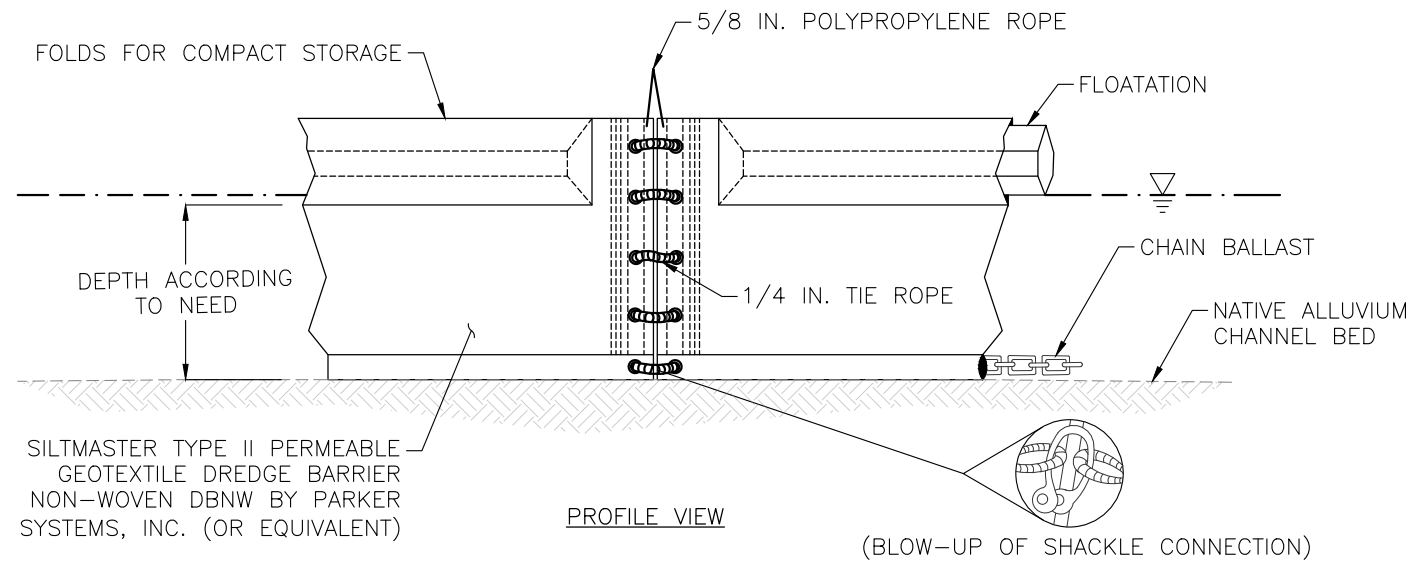


RiverRestoration
P.O. Box 248
Carbondale, CO 81623
www.RiverRestoration.org

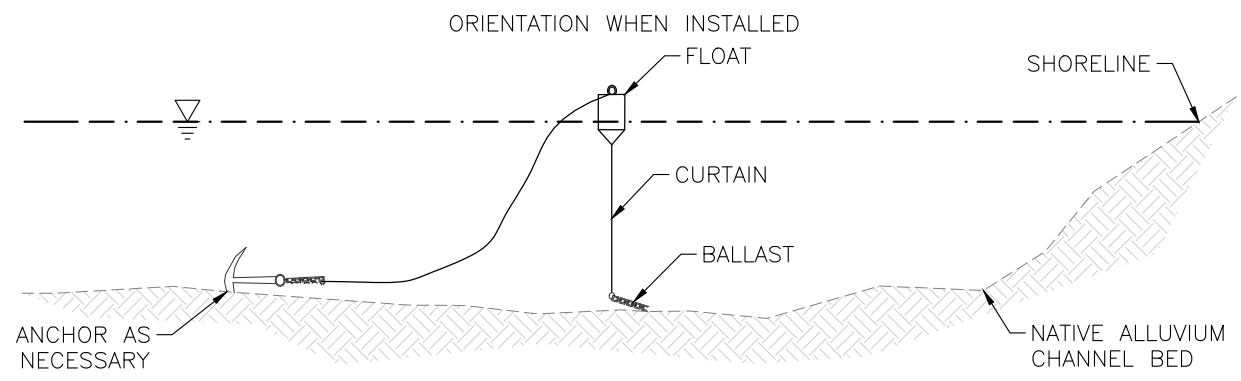
PROJECT NAME AND ADDRESS
Riverton Bank Stabilization
Riverton, UT 84065

Project 45068	Sheet CW04
Date January 2023	
Scale NTS	

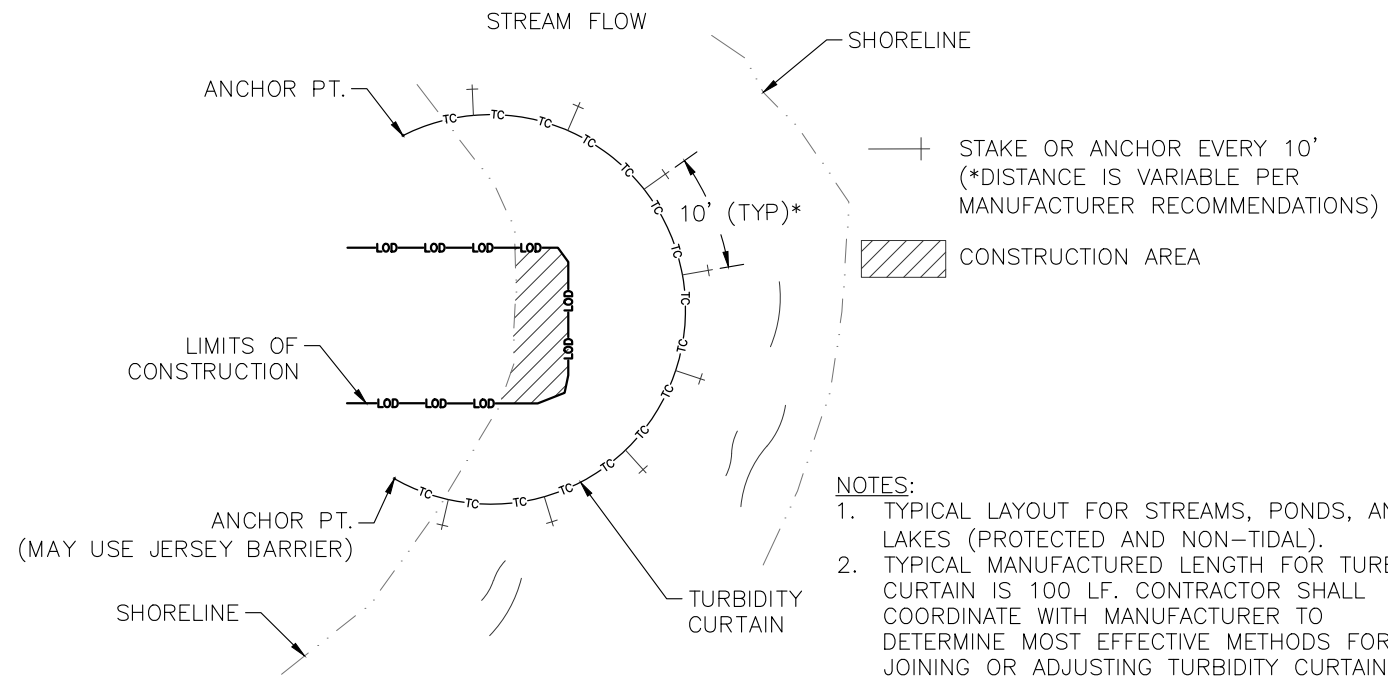
BID SET



PROFILE VIEW
(BLOW-UP OF SHACKLE CONNECTION)

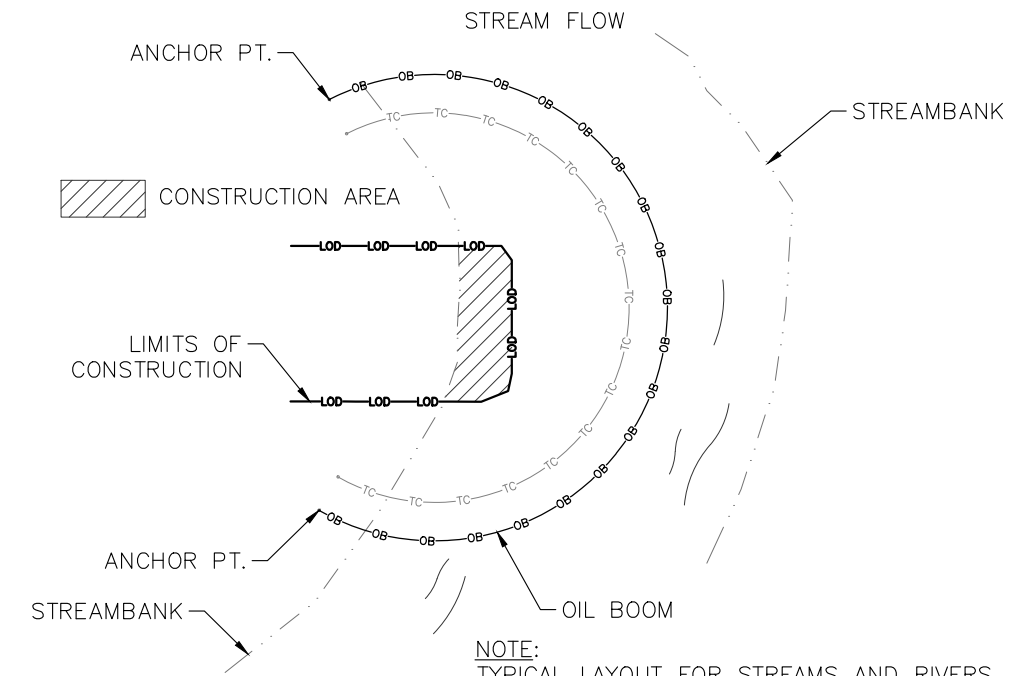


SECTION VIEW



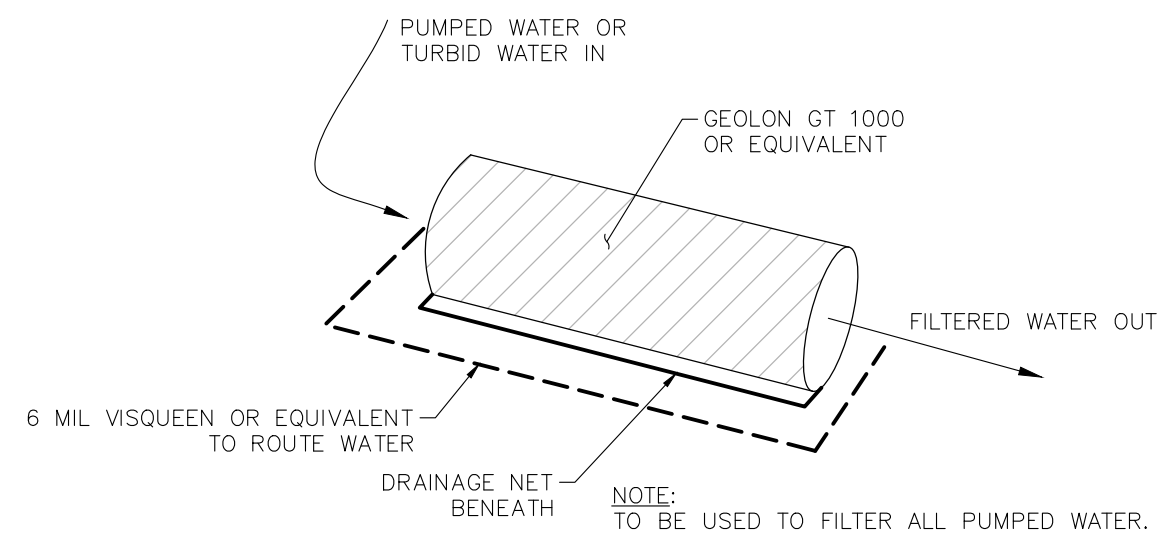
- NOTES:
1. TYPICAL LAYOUT FOR STREAMS, PONDS, AND LAKES (PROTECTED AND NON-TIDAL).
 2. TYPICAL MANUFACTURED LENGTH FOR TURBIDITY CURTAIN IS 100 LF. CONTRACTOR SHALL COORDINATE WITH MANUFACTURER TO DETERMINE MOST EFFECTIVE METHODS FOR JOINING OR ADJUSTING TURBIDITY CURTAINS WITHIN ACTIVE WORK AREAS.

1 TURBIDITY CURTAIN (TYP)
CW05 PLAN VIEW - NTS



NOTE:
TYPICAL LAYOUT FOR STREAMS AND RIVERS. OIL BOOM TO BE PLACED BEHIND TURBIDITY CURTAIN AND DOWNSTREAM OF ANY EQUIPMENT WORKING IN THE WET.

2 OIL BOOM (TYP)
CW05 PLAN VIEW - NTS



NOTE:
TO BE USED TO FILTER ALL PUMPED WATER.

3 GEO-TUBE FILTER (TYP)
CW05 NTS

PROFESSIONAL ENGINEER STAMP



RIVERTON BANK ACCESS
CARE OF WATER
DETAILS

No.	REVISION/UPDATE	Date

CLIENT NAME AND ADDRESS

Riverton City
12830 S Redwood Road
Riverton, UT 84065
(801) 254-0704

RiverRestoration
P.O. Box 248
Carbondale, CO 81623
www.RiverRestoration.org

PROJECT NAME AND ADDRESS
Riverton Bank Stabilization
Riverton, UT 84065

Project 45068	Sheet CW05
Date January 2023	
Scale NTS	

BID SET



RIVERTON BANK ACCESS
COFFERDAM OPTION
DETAILS

No.	REVISION/UPDATE	Date

CLIENT NAME AND ADDRESS

RIVERTON
 UTAH
 Riverton City
 12830 S Redwood Road
 Riverton, UT 84065
 (801) 254-0704


RIVER
 RESTORATION.ORG
 RiverRestoration
 P.O. Box 248
 Carbondale, CO 81623
 www.RiverRestoration.org

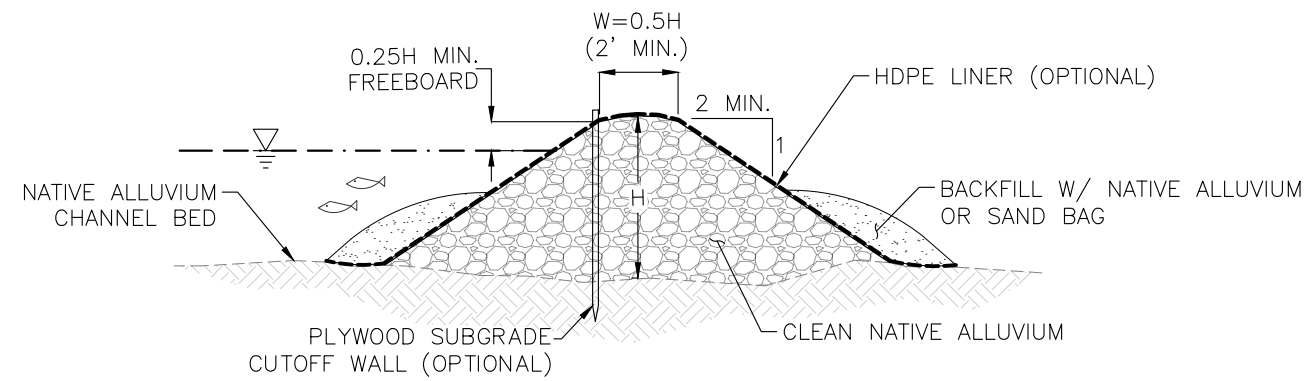
PROJECT NAME AND ADDRESS
 Riverton Bank Stabilization
 Riverton, UT 84065

Project 45068	Sheet CW06
Date January 2023	
Scale NTS	

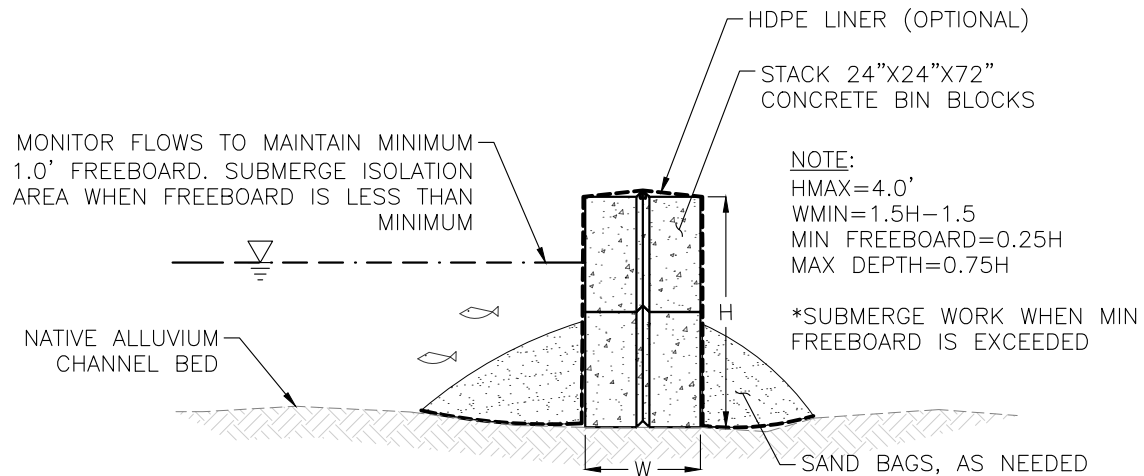
BID SET

NOTE:
 HMAX=8.0'
 WMIN=0.5H
 MIN FREEBOARD=0.25H
 MAX DEPTH=6'

*SUBMERGE WORK WHEN MIN FREEBOARD IS EXCEEDED.



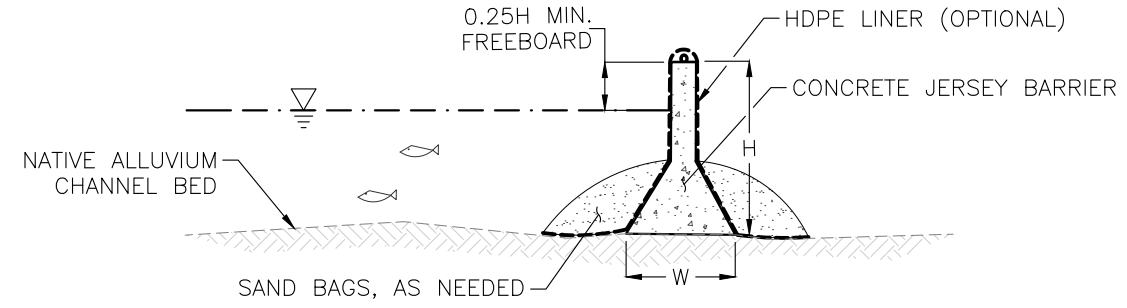
1 ALLUVIUM COFFERDAM (TYP)
 SECTION VIEW - NTS



2 CONCRETE BLOCK COFFERDAM (TYP)
 SECTION VIEW - NTS

NOTE:
 H=34" (TYP. JERSEY BARRIER HEIGHT)
 W=23" (TYP. JERSEY BARRIER BASE WIDTH)
 MIN FREEBOARD=0.25H
 MAX DEPTH=0.75H

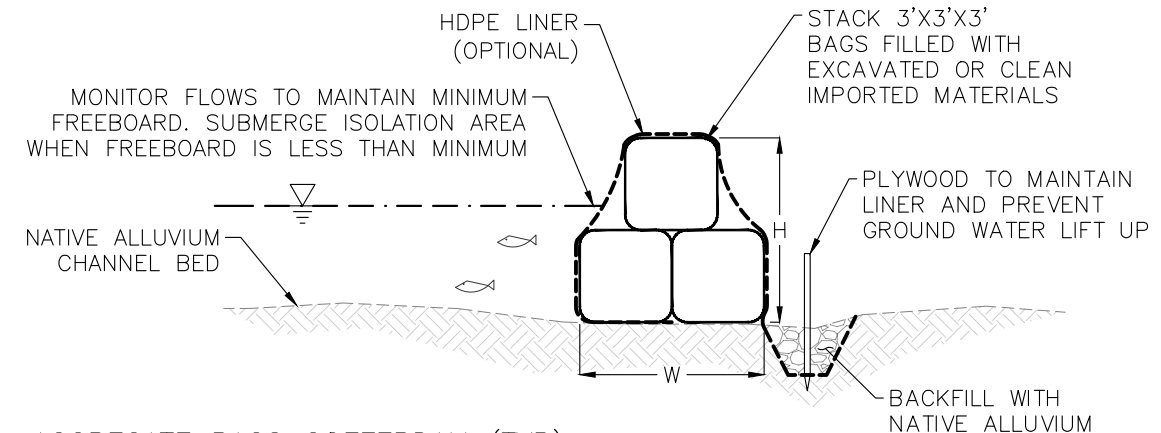
*SUBMERGE WORK WHEN MIN FREEBOARD IS EXCEEDED



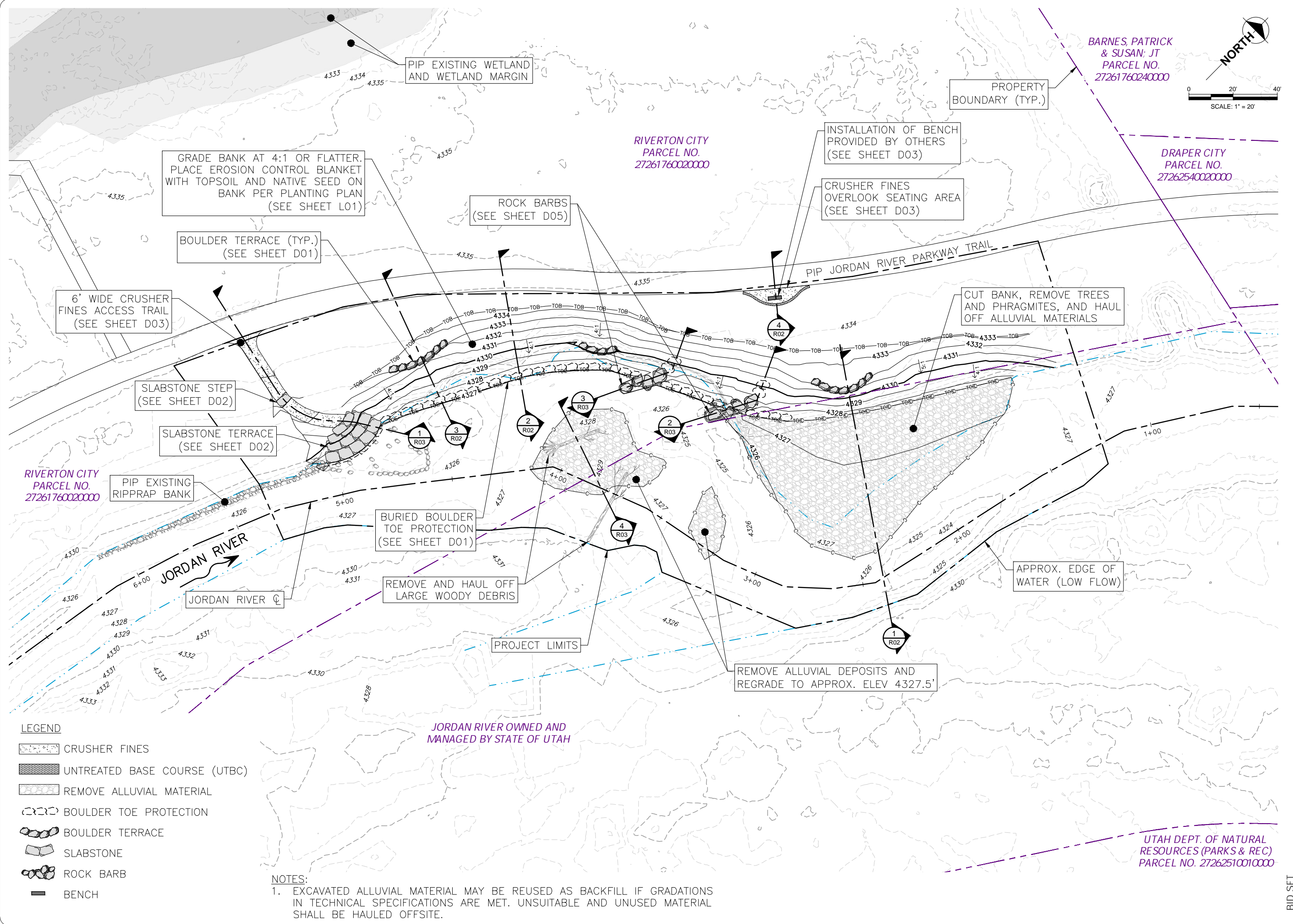
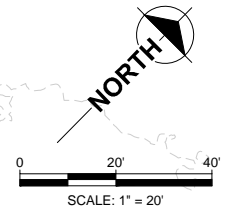
3 JERSEY BARRIER COFFERDAM (TYP)
 SECTION VIEW - NTS

NOTE:
 $W = H^2 - 2.5H$
 $W_{MIN} = 1.5H - 1.5$
 H MAX = 6.0'
 MIN FREEBOARD = 0.25H
 MAX DEPTH = 0.75H

*SUBMERGE WORK WHEN MIN FREEBOARD IS EXCEEDED



4 AGGREGATE BAGS COFFERDAM (TYP)
 SECTION VIEW - NTS



GRADE BANK AT 4:1 OR FLATTER. PLACE EROSION CONTROL BLANKET WITH TOPSOIL AND NATIVE SEED ON BANK PER PLANTING PLAN (SEE SHEET L01)

PIP EXISTING WETLAND AND WETLAND MARGIN

PROPERTY BOUNDARY (TYP.)

BARNES, PATRICK & SUSAN, JT
PARCEL NO. 27261760240000

DRAPER CITY
PARCEL NO. 27262540020000

RIVERTON CITY
PARCEL NO. 27261760020000

INSTALLATION OF BENCH PROVIDED BY OTHERS (SEE SHEET D03)

CRUSHER FINES OVERLOOK SEATING AREA (SEE SHEET D03)

ROCK BARBS (SEE SHEET D05)

BOULDER TERRACE (TYP.) (SEE SHEET D01)

6' WIDE CRUSHER FINES ACCESS TRAIL (SEE SHEET D03)

PIP JORDAN RIVER PARKWAY TRAIL

CUT BANK, REMOVE TREES AND PHRAGMITES, AND HAUL OFF ALLUVIAL MATERIALS

SLABSTONE STEP (SEE SHEET D02)

SLABSTONE TERRACE (SEE SHEET D02)

RIVERTON CITY
PARCEL NO. 27261760020000

PIP EXISTING RIPRAP BANK

BURIED BOULDER TOE PROTECTION (SEE SHEET D01)

REMOVE AND HAUL OFF LARGE WOODY DEBRIS

PROJECT LIMITS

REMOVE ALLUVIAL DEPOSITS AND REGRADE TO APPROX. ELEV 4327.5'

APPROX. EDGE OF WATER (LOW FLOW)

JORDAN RIVER OWNED AND MANAGED BY STATE OF UTAH

- LEGEND**
- CRUSHER FINES
 - UNTREATED BASE COURSE (UTBC)
 - REMOVE ALLUVIAL MATERIAL
 - BOULDER TOE PROTECTION
 - BOULDER TERRACE
 - SLABSTONE
 - ROCK BARB
 - BENCH

NOTES:
 1. EXCAVATED ALLUVIAL MATERIAL MAY BE REUSED AS BACKFILL IF GRADATIONS IN TECHNICAL SPECIFICATIONS ARE MET. UNSUITABLE AND UNUSED MATERIAL SHALL BE HAULED OFFSITE.

**RIVERTON BANK ACCESS
 BANK GRADING PLAN**

No.	REVISION/UPDATE	Date

CLIENT NAME AND ADDRESS

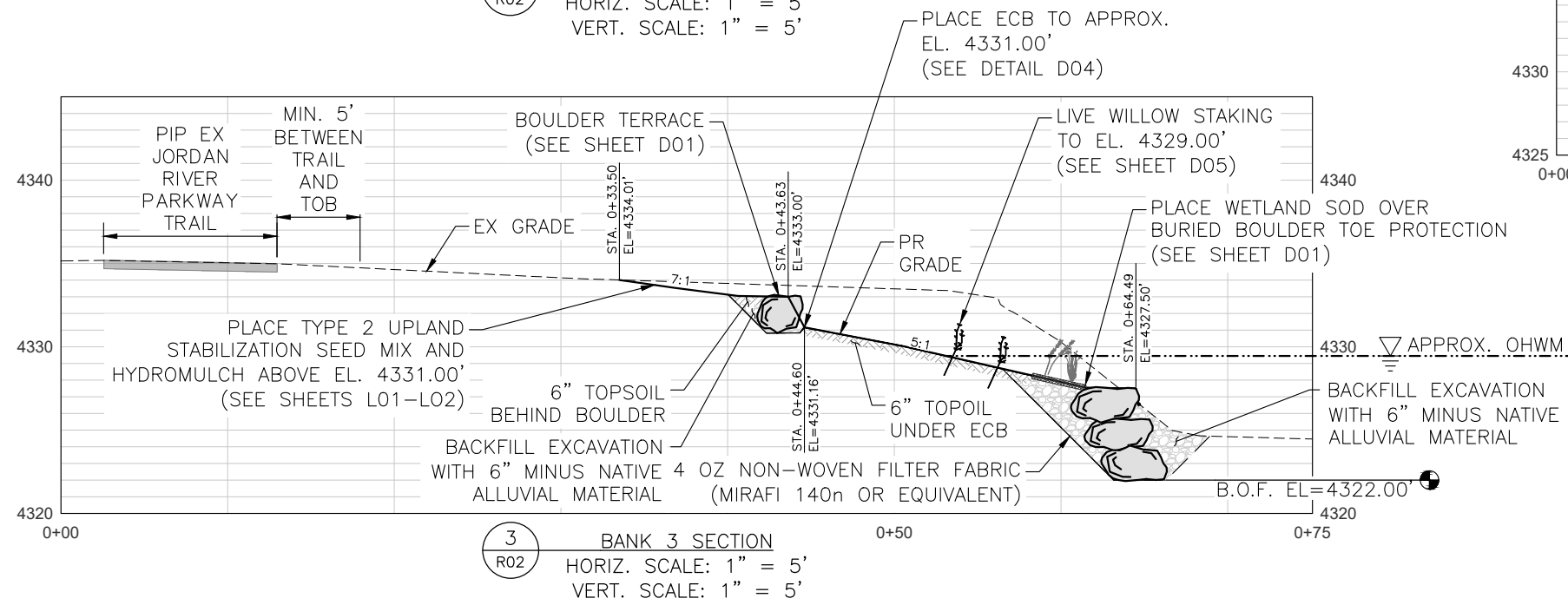
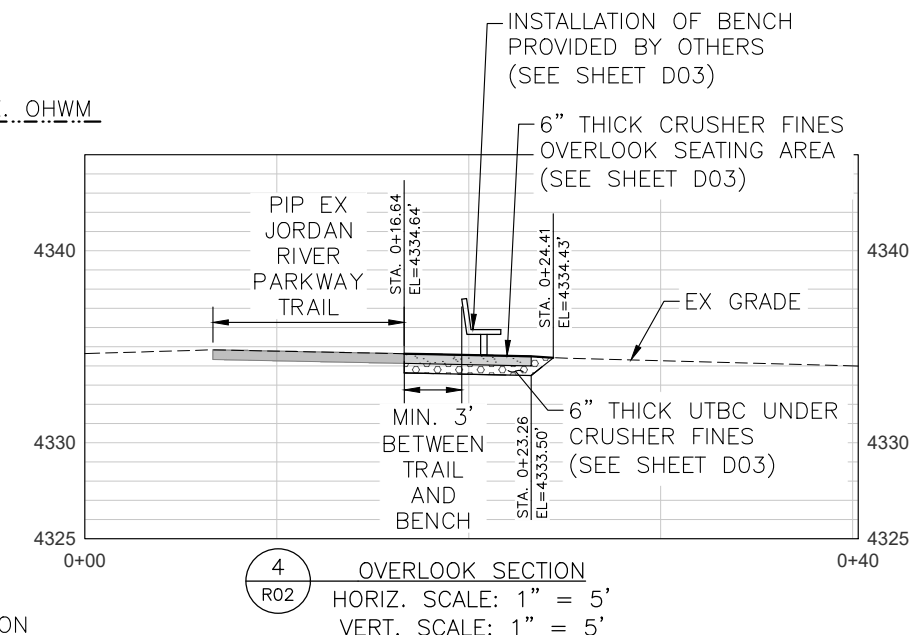
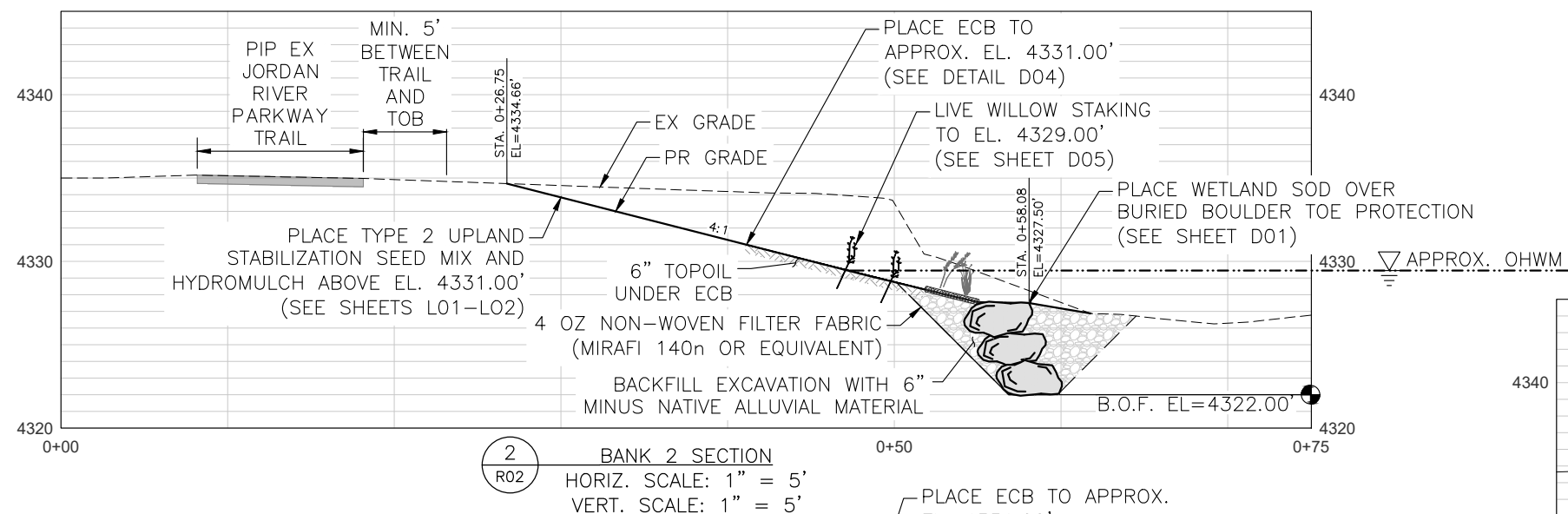
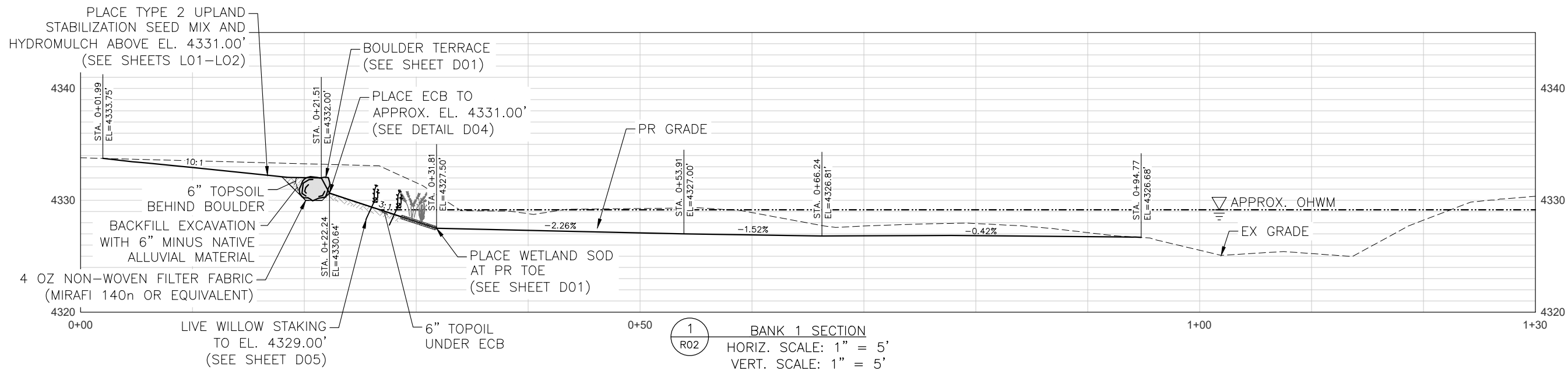
RIVERTON UTAH
 Riverton City
 12830 S Redwood Road
 Riverton, UT 84065
 (801) 254-0704

RIVER RESTORATION.ORG
 RiverRestoration
 P.O. Box 248
 Carbondale, CO 81623
 www.RiverRestoration.org

PROJECT NAME AND ADDRESS
 Riverton Bank Stabilization
 Riverton, UT 84065

Project 45068	Sheet R01
Date January 2023	
Scale 1"=20' (FULL SIZE)	

BID SET



RIVERTON BANK ACCESS
 GRADING SECTIONS I

No.	REVISION/UPDATE	Date

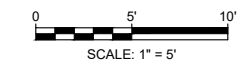
CLIENT NAME AND ADDRESS

Riverton City
 12830 S Redwood Road
 Riverton, UT 84065
 (801) 254-0704

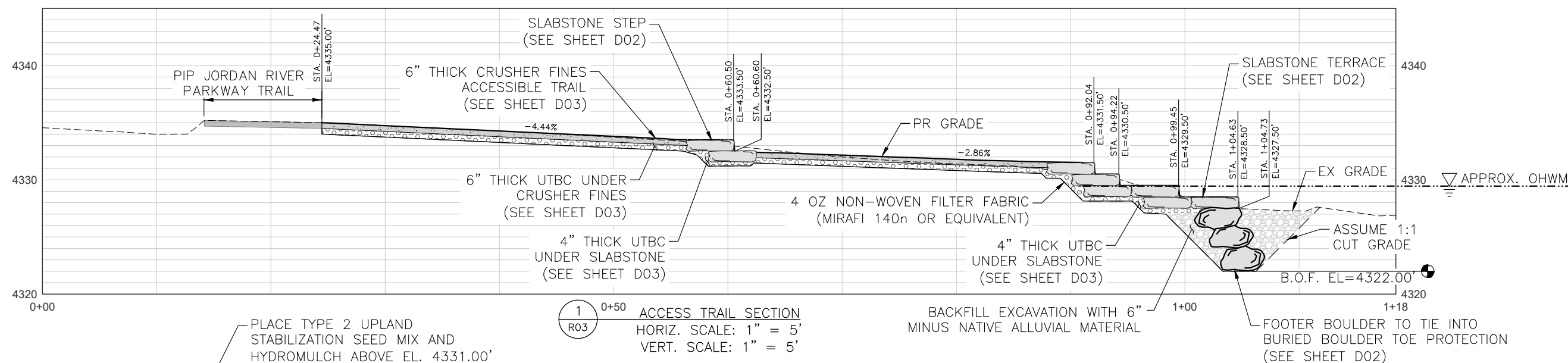
RiverRestoration
 P.O. Box 248
 Carbondale, CO 81623
 www.RiverRestoration.org

PROJECT NAME AND ADDRESS
 Riverton Bank Stabilization
 Riverton, UT 84065

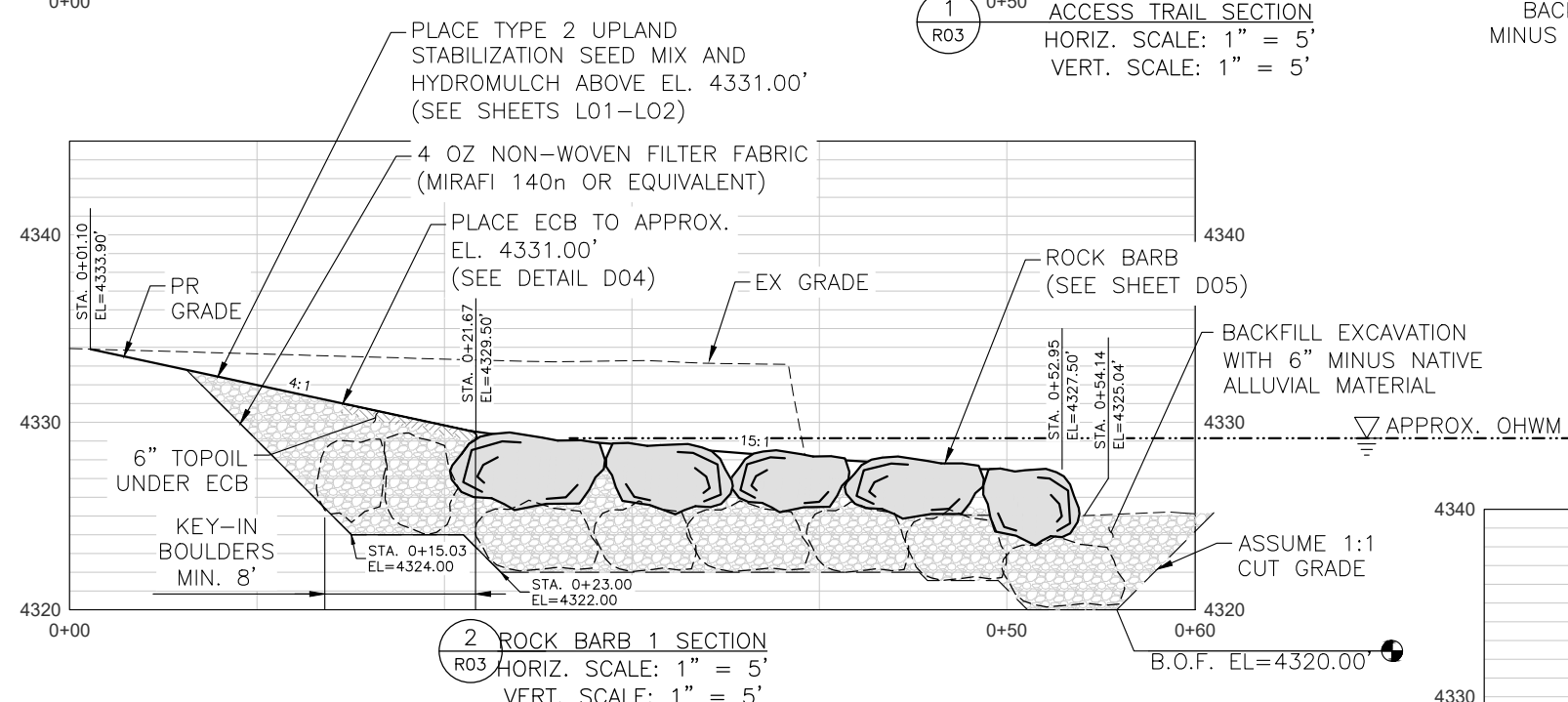
Project 45068	Sheet R02
Date January 2023	
Scale 1"=5' (FULL SIZE)	



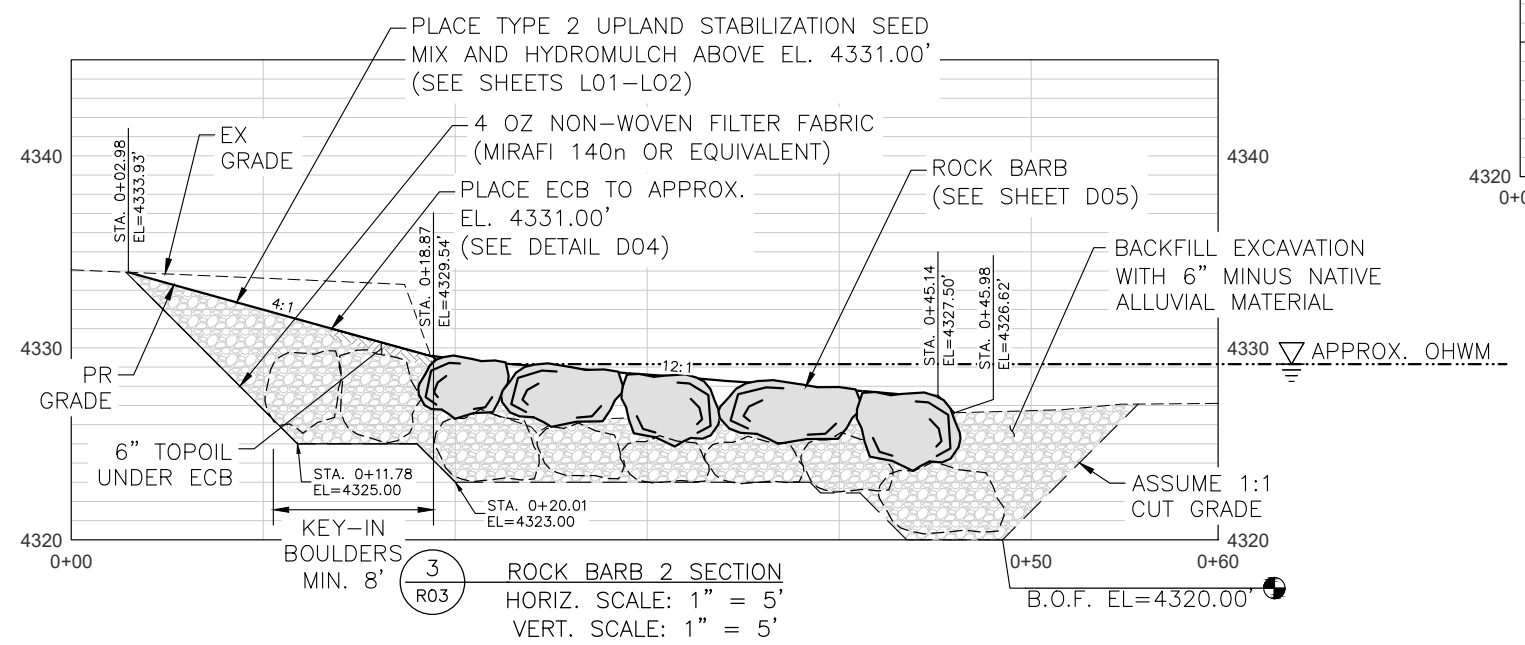
BID SET



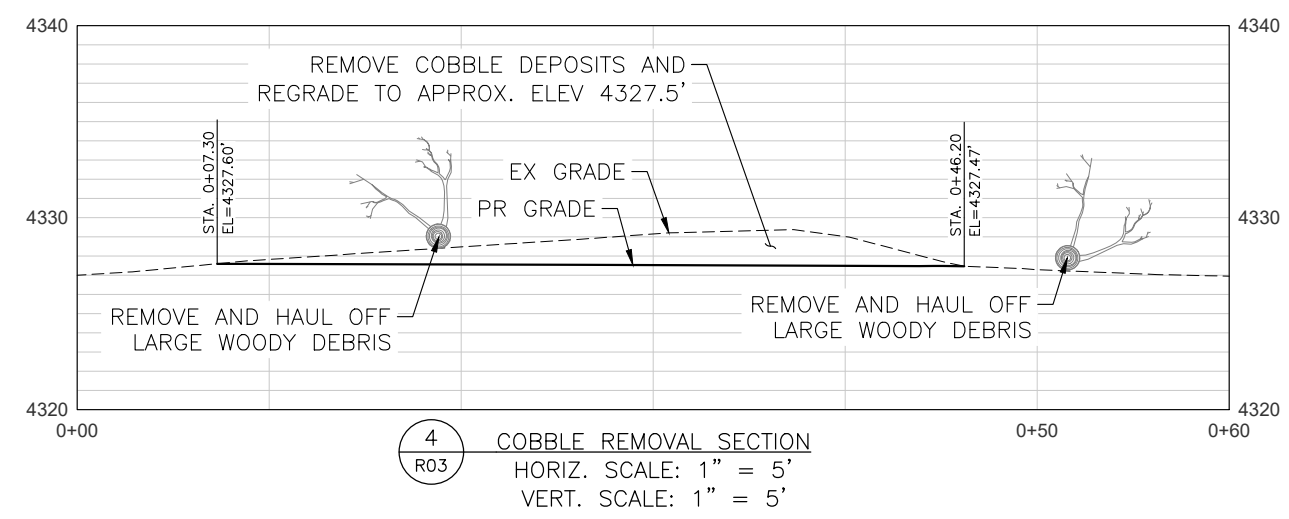
1 0+50 ACCESS TRAIL SECTION
 R03 HORIZ. SCALE: 1" = 5'
 VERT. SCALE: 1" = 5'



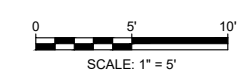
2 0+50 ROCK BARB 1 SECTION
 R03 HORIZ. SCALE: 1" = 5'
 VERT. SCALE: 1" = 5'



3 0+50 ROCK BARB 2 SECTION
 R03 HORIZ. SCALE: 1" = 5'
 VERT. SCALE: 1" = 5'



4 0+50 COBBLE REMOVAL SECTION
 R03 HORIZ. SCALE: 1" = 5'
 VERT. SCALE: 1" = 5'



BID SET

RIVERTON BANK ACCESS
 GRADING SECTIONS 2

No.	REVISION/UPDATE	Date

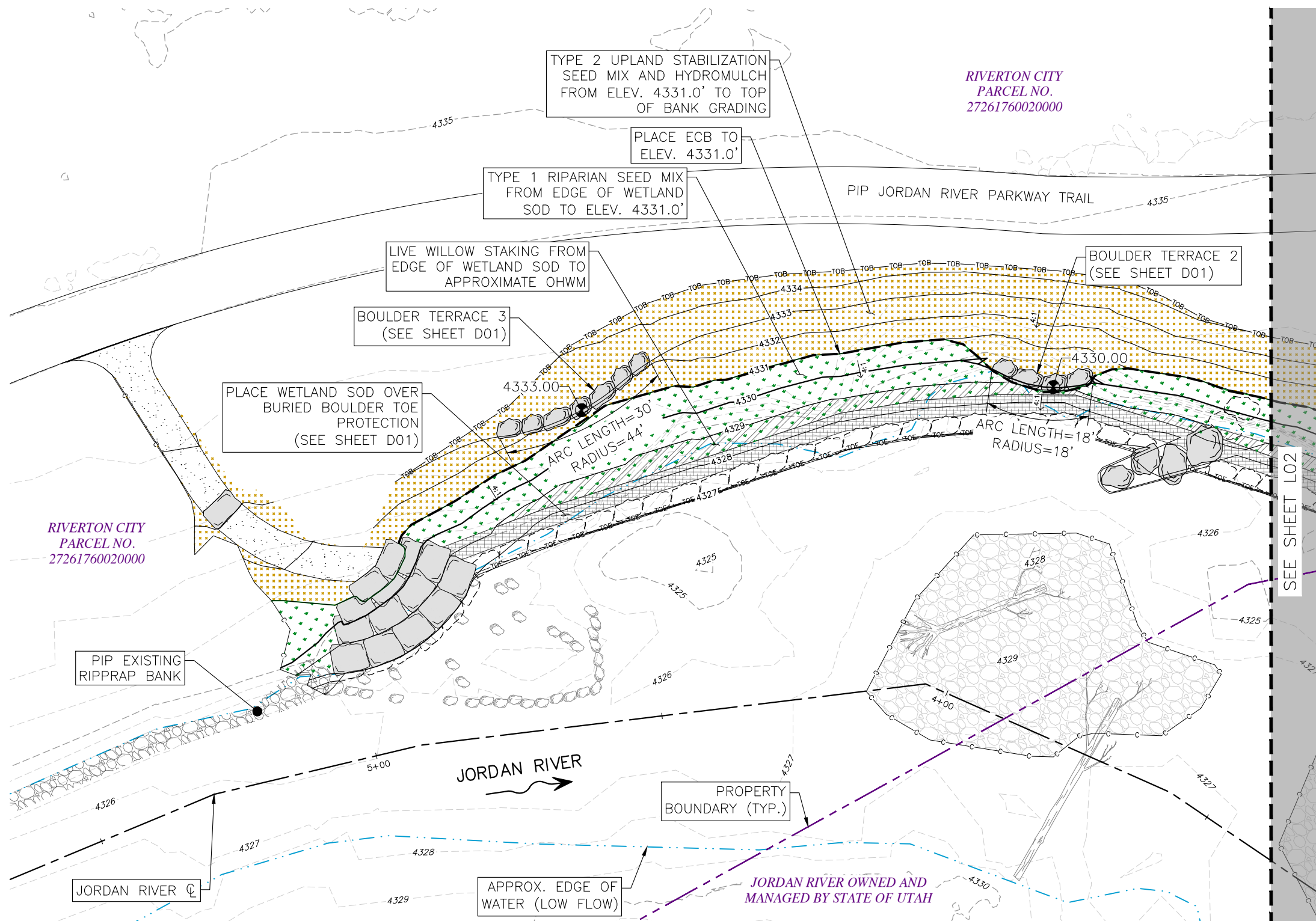
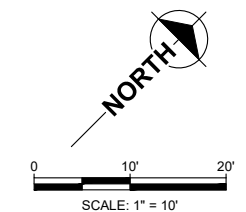
CLIENT NAME AND ADDRESS

Riverton City
 12830 S Redwood Road
 Riverton, UT 84065
 (801) 254-0704

RiverRestoration
 P.O. Box 248
 Carbondale, CO 81623
 www.RiverRestoration.org

PROJECT NAME AND ADDRESS
 Riverton Bank Stabilization
 Riverton, UT 84065

Project 45068	Sheet R03
Date January 2023	
Scale 1"=5' (FULL SIZE)	



PLANTING LEGEND

- WETLAND SOD
- LIVE WILLOW STAKING
- TYPE 1 EMERGENT RIPARIAN SEED MIX
- TYPE 2 UPLAND STABILIZATION SEED MIX

PLANTING NOTES:

1. IRRIGATION IS NOT INCLUDED IN THIS DESIGN.
2. REFER TO TECHNICAL SPECIFICATIONS FOR ALL PLANTING AND STAKING NOTES.

EMERGENT RIPARIAN MIX APPLICATION		
COMMON NAME	SCIENTIFIC NAME	PLS/ACRE*
INLAND SALTGRASS	DISTICHLIS SPICATA	25%
CREEPING SPIKEBRUSH	ELEOCHARIS PALUSTRIS	25%
SPIKE MUHLY	MUHLENBERGIA WRIGHTII	25%
NUTTAL'S ALKALIGRASS	PUCCINELLIA NUTTALLIANA	25%
*BROADCAST APPLICATION=15 LBS/ACRE		100%

UPLAND STABILIZATION MIX APPLICATION		
COMMON NAME	SCIENTIFIC NAME	PLS/ACRE*
SAND DROPSEED	SPOROBOLUS CRYPTANDRUS	1%
BLANKET FLOWER	GAILLARDIA ARISTATA	6.4%
ROCKY MOUNTAIN BEEPLANT	CLEOME SERRULATA	19.2%
SCARLET GLOBEMALLOW	SPHAERALCEA COCCINEA	3.2%
ALKALI SACATON	SPOROBOLUS AIROIDES	3.2%
GREAT BASIN WILDRYE	LEYMUS CINEREUS	25.5%
WESTERN WHEATGRASS	PASCOPYRUM SMITHII	25.5%
SANDBERG BLUEGRASS	POA SECUNDA SSP. SANDBERGII	6.4%
INLAND SALTGRASS	DISTICHLIS SPICATA	3.2%
LEWIS BLUE FLAX	LINUM LEWISII	6.4%
*BROADCAST APPLICATION=60 LBS/ACRE		100%

**RIVERTON BANK ACCESS
PLANTING PLAN - SOUTH**

No.	REVISION/UPDATE	Date

CLIENT NAME AND ADDRESS



Riverton City
12830 S Redwood Road
Riverton, UT 84065
(801) 254-0704

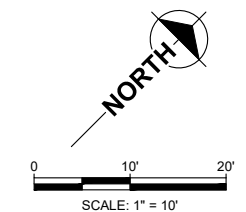
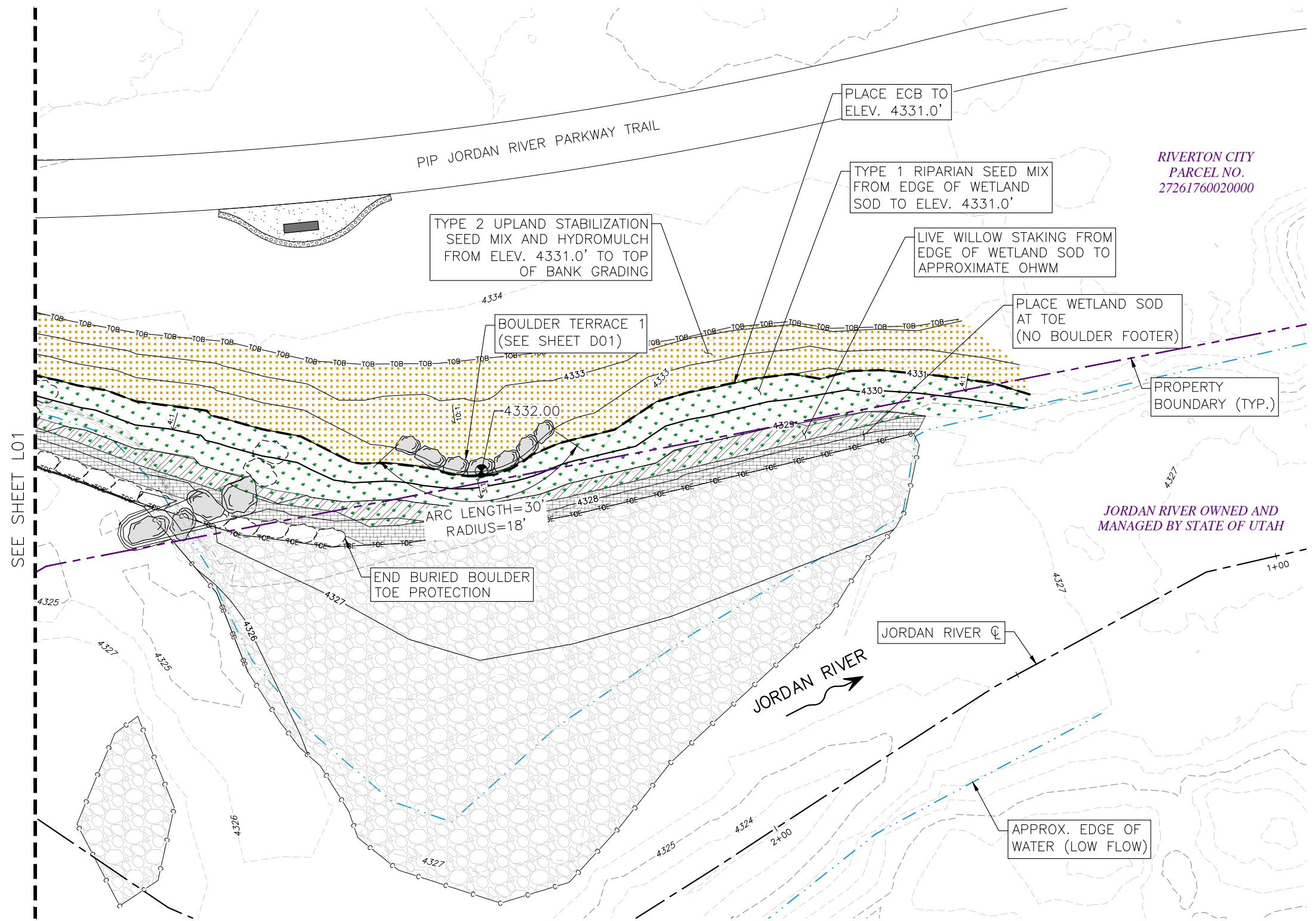


RiverRestoration
P.O. Box 248
Carbondale, CO 81623
www.RiverRestoration.org

PROJECT NAME AND ADDRESS
Riverton Bank Stabilization
Riverton, UT 84065

Project 45068	Sheet LOI
Date January 2023	
Scale 1" = 10' (FULL SIZE)	

BID SET



- PLANTING LEGEND**
- WETLAND SOD
 - LIVE WILLOW STAKING
 - TYPE 1 EMERGENT RIPARIAN SEED MIX
 - TYPE 2 UPLAND STABILIZATION SEED MIX

SEE SHEET L01

PLANTING NOTES:

1. IRRIGATION IS NOT INCLUDED IN THIS DESIGN.
2. REFER TO TECHNICAL SPECIFICATIONS FOR ALL PLANTING AND STAKING NOTES.

EMERGENT RIPARIAN MIX APPLICATION		
COMMON NAME	SCIENTIFIC NAME	PLS/ACRE*
INLAND SALTGRASS	DISTICHLIS SPICATA	25%
CREEPING SPIKEBRUSH	ELEOCHARIS PALUSTRIS	25%
SPIKE MUHLY	MUHLENBERGIA WRIGHTII	25%
NUTTAL'S ALKALIGRASS	PUCCINELLIA NUTTALLIANA	25%
*BROADCAST APPLICATION=15 LBS/ACRE		100%

UPLAND STABILIZATION MIX APPLICATION		
COMMON NAME	SCIENTIFIC NAME	PLS/ACRE*
SAND DROPSEED	SPOROBOLUS CRYPTANDRUS	1%
BLANKET FLOWER	GAILLARDIA ARISTATA	6.4%
ROCKY MOUNTAIN BEEPLANT	CLEOME SERRULATA	19.2%
SCARLET GLOBEMALLOW	SPHAERALCEA COCCINEA	3.2%
ALKALI SACATON	SPOROBOLUS AIROIDES	3.2%
GREAT BASIN WILDRYE	LEYMUS CINEREUS	25.5%
WESTERN WHEATGRASS	PASCOPYRUM SMITHII	25.5%
SANDBERG BLUEGRASS	POA SECUNDA SSP. SANDBERGII	6.4%
INLAND SALTGRASS	DISTICHLIS SPICATA	3.2%
LEWIS BLUE FLAX	LINUM LEWISII	6.4%
*BROADCAST APPLICATION=60 LBS/ACRE		100%

PROFESSIONAL ENGINEER STAMP



**RIVERTON BANK ACCESS
PLANTING PLAN - NORTH**

No.	REVISION/UPDATE	Date

CLIENT NAME AND ADDRESS



Riverton City
12830 S Redwood Road
Riverton, UT 84065
(801) 254-0704

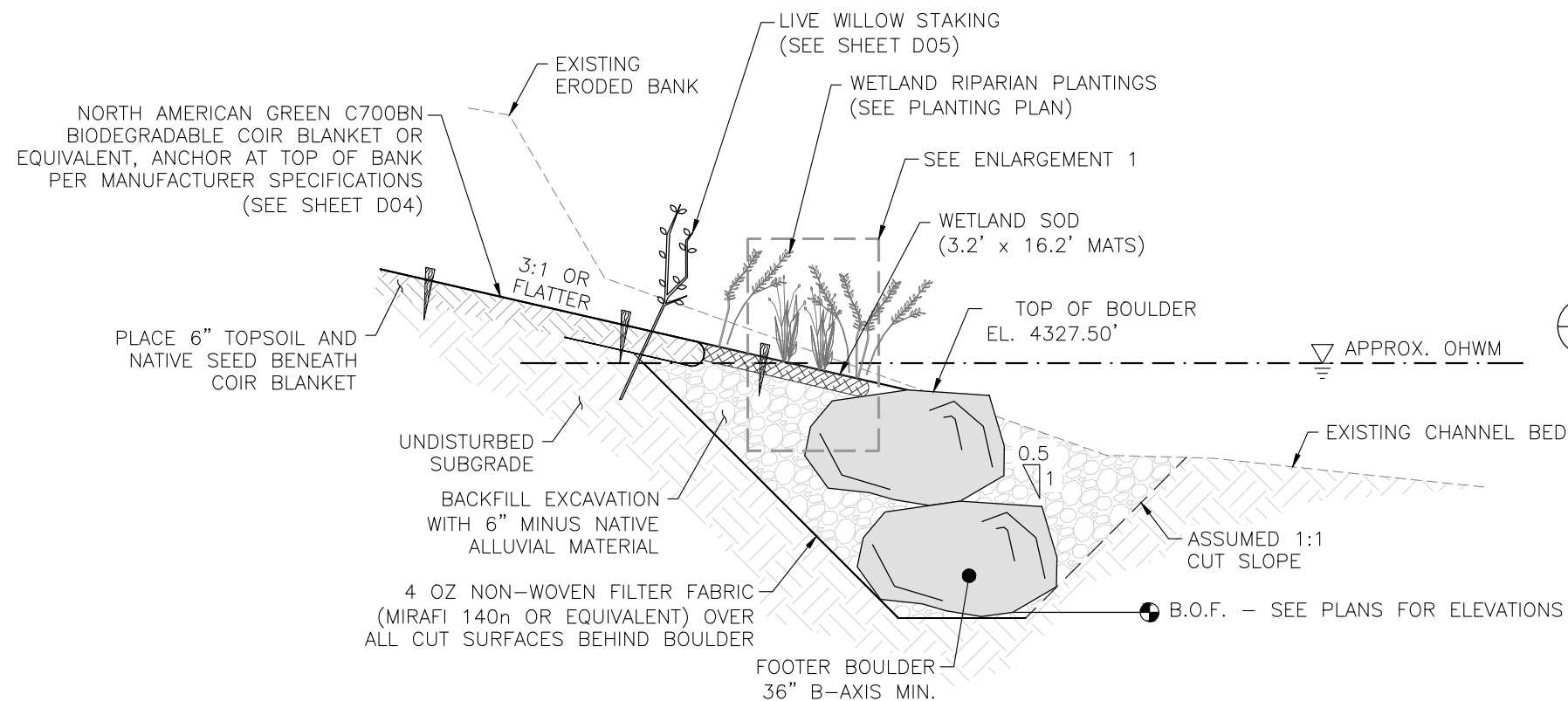


RiverRestoration
P.O. Box 248
Carbondale, CO 81623
www.RiverRestoration.org

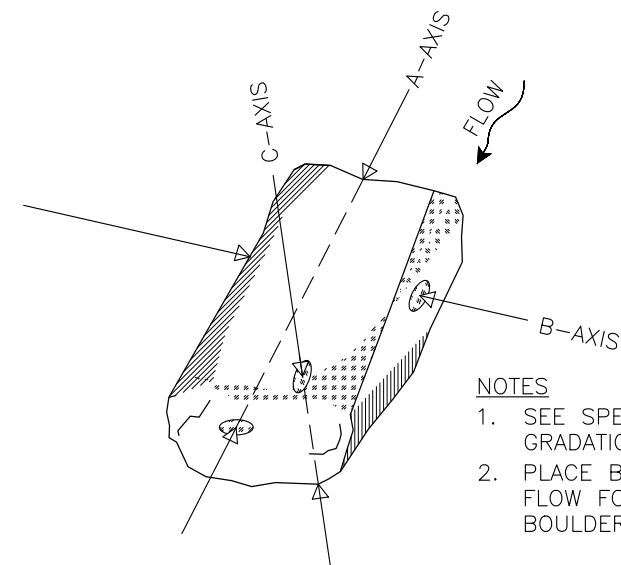
PROJECT NAME AND ADDRESS
Riverton Bank Stabilization
Riverton, UT 84065

Project 45068	Sheet L02
Date January 2023	
Scale 1" = 10' (FULL SIZE)	

BID SET

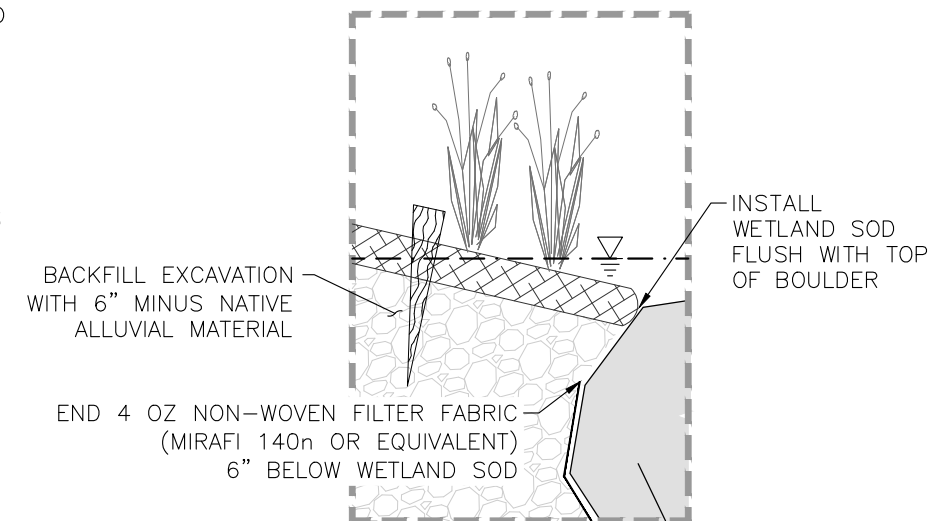


1 BOULDER TOE PROTECTION (TYP)
D01 NTS

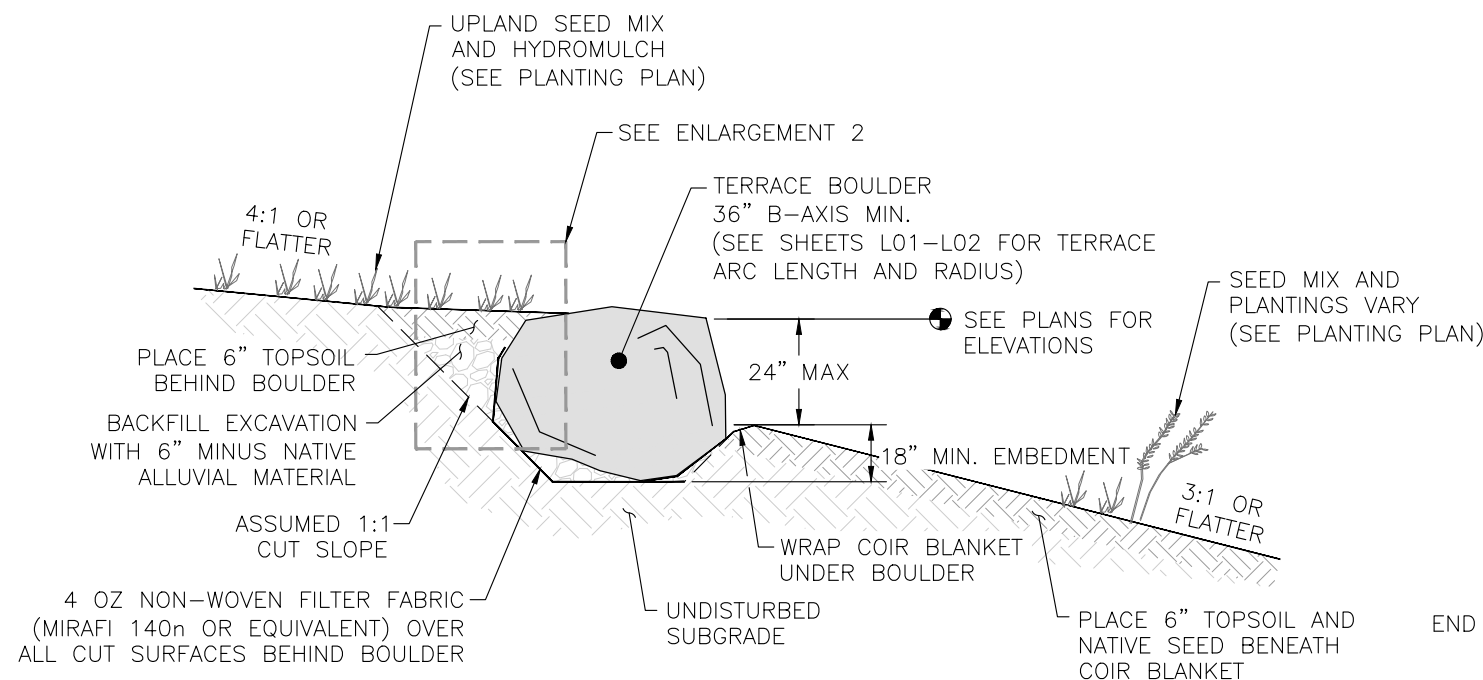


- NOTES
1. SEE SPECIFICATIONS FOR BOULDER GRADATION.
 2. PLACE B-AXIS PERPENDICULAR TO FLOW FOR BOULDER TOE AND BOULDER TERRACE CONSTRUCTION.

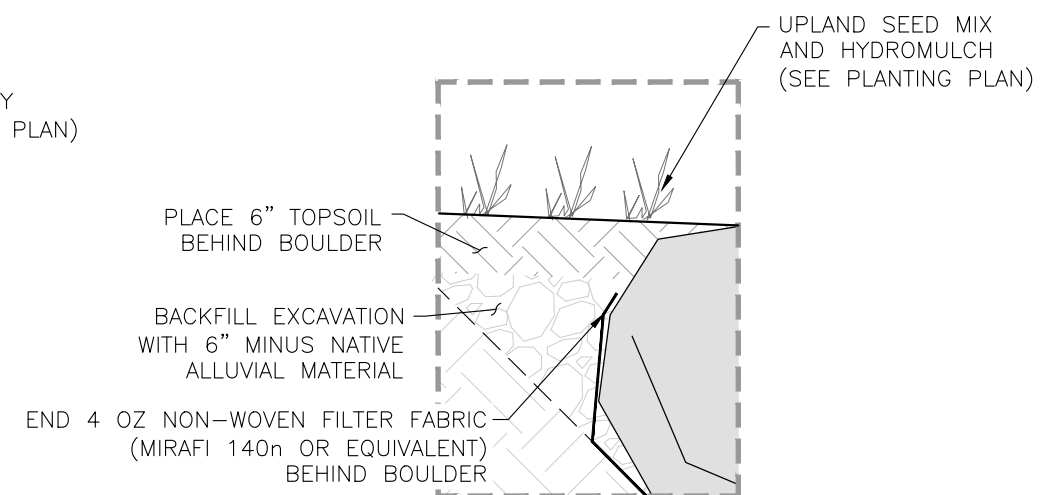
3 BOULDER AXIAL PLACEMENT (TYP)
D01 NTS



ENLARGEMENT 1: INTERFACE BETWEEN WETLAND SOD AND FILTER FABRIC WRAP



2 BOULDER TERRACE (TYP)
D01 NTS



ENLARGEMENT 2: INTERFACE BEHIND BOULDER TERRACE

RIVERTON BANK ACCESS BOULDER TOE & TERRACE DETAILS

No.	REVISION/UPDATE	Date

CLIENT NAME AND ADDRESS

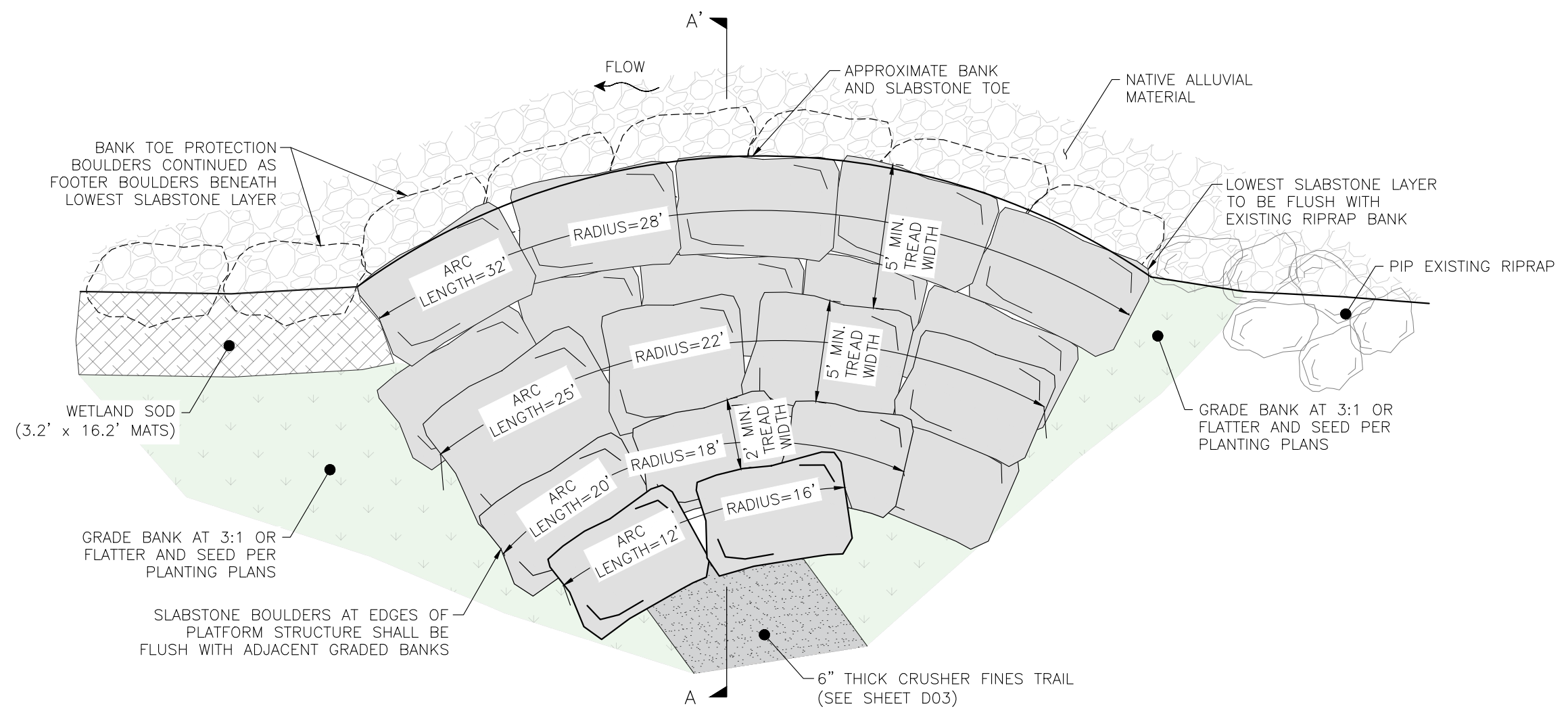
Riverton City
12830 S Redwood Road
Riverton, UT 84065
(801) 254-0704

RiverRestoration
P.O. Box 248
Carbondale, CO 81623
www.RiverRestoration.org

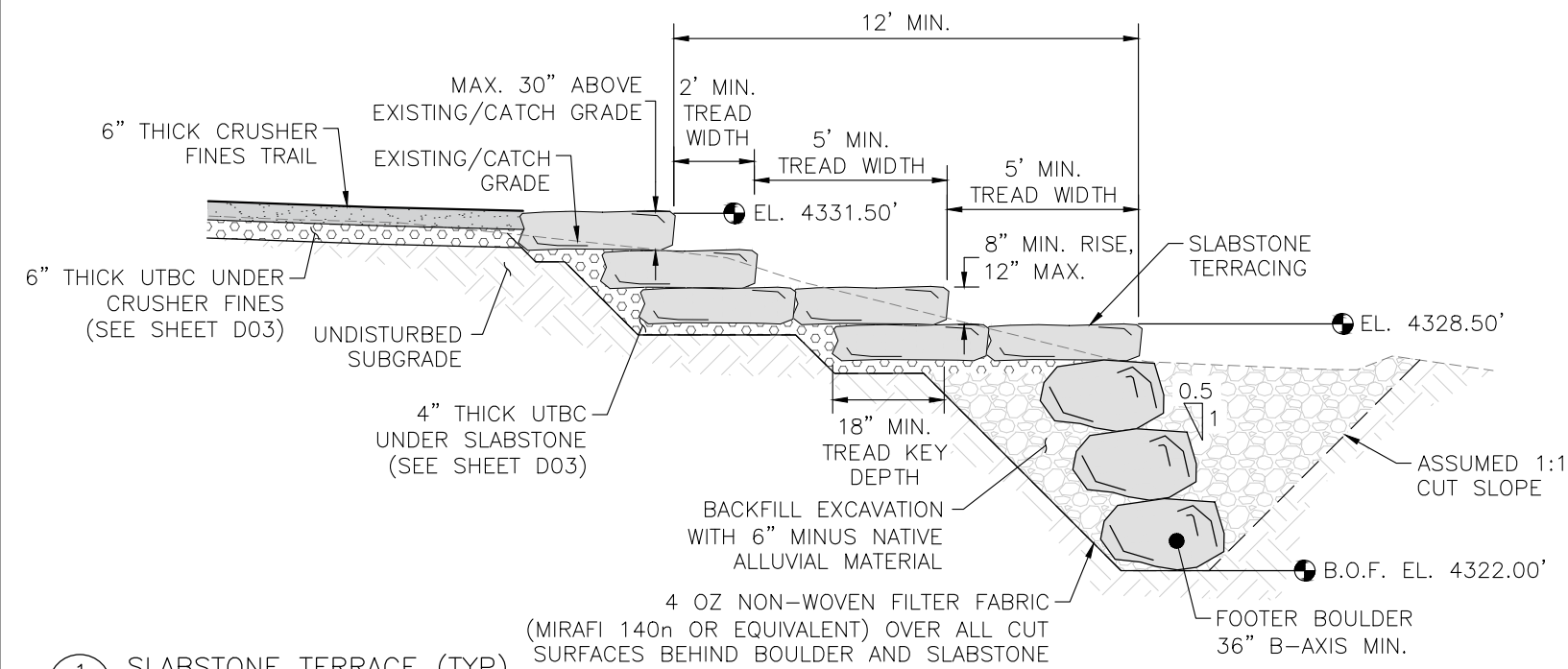
PROJECT NAME AND ADDRESS
Riverton Bank Stabilization
Riverton, UT 84065

Project 45068	Sheet D01
Date January 2023	
Scale NTS	

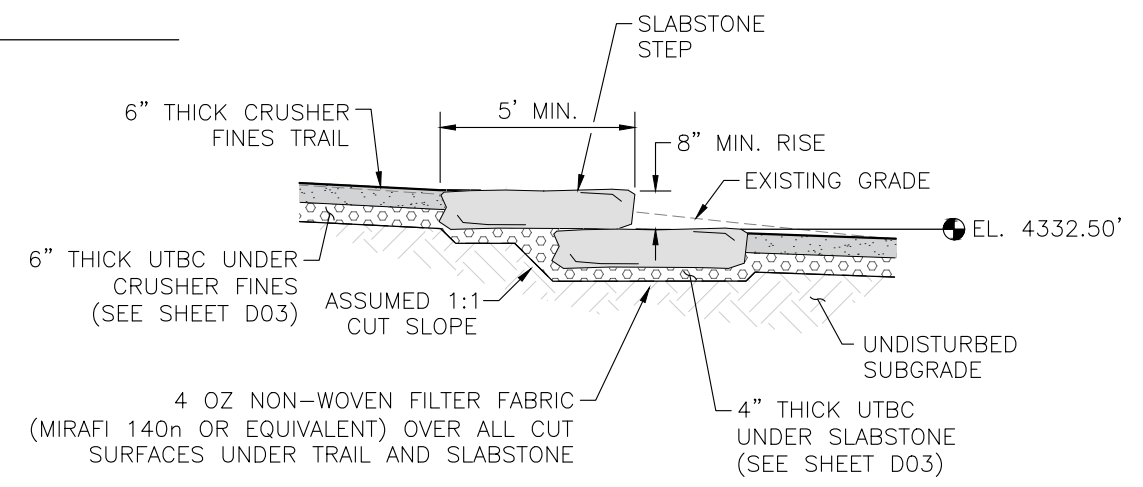
BID SET



1 SLABSTONE TERRACE (TYP)
D02 NTS



1 SLABSTONE TERRACE (TYP)
D02 A-A' PROFILE VIEW - NTS



3 SLABSTONE STEP (TYP)
D02 PROFILE VIEW - NTS

SLABSTONE NOTES

- CONTRACTOR SHALL LEVEL, FIT, AND STACK INDIVIDUAL SLABS TO MAXIMIZE AESTHETIC VALUE OF FINISHED STEPS AND TERRACING. REFER TO TECHNICAL SPECIFICATIONS FOR MATERIAL AND CONSTRUCTION REQUIREMENTS.

RIVERTON BANK ACCESS
SLABSTONE TERRACE & STEP
DETAILS

No.	REVISION/UPDATE	Date

CLIENT NAME AND ADDRESS

Riverton City
12830 S Redwood Road
Riverton, UT 84065
(801) 254-0704

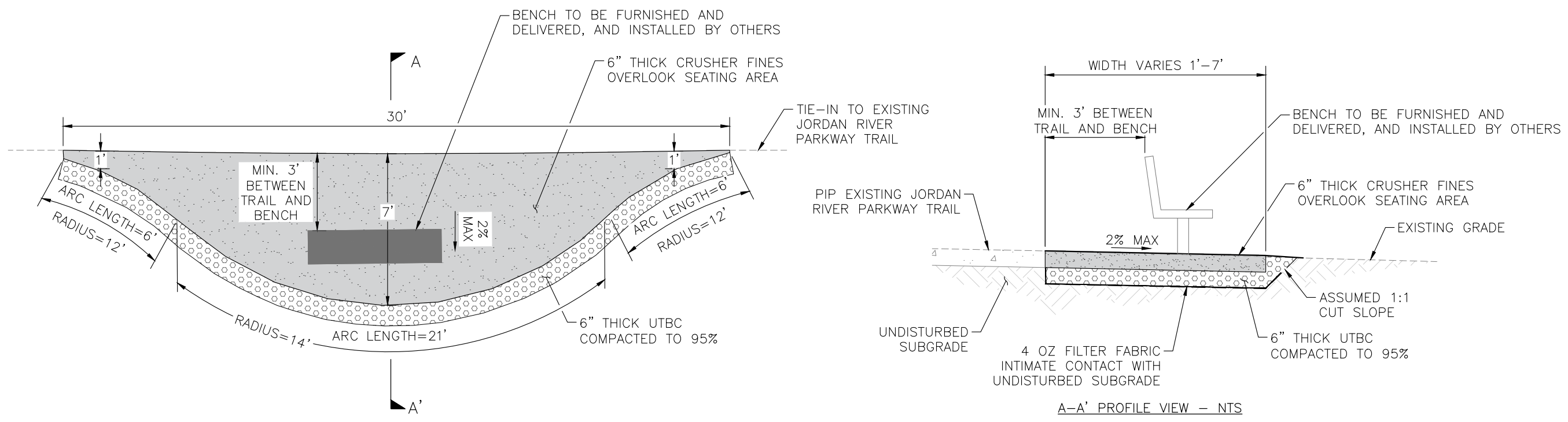
RiverRestoration
P.O. Box 248
Carbondale, CO 81623
www.RiverRestoration.org

PROJECT NAME AND ADDRESS

Riverton Bank Stabilization
Riverton, UT 84065

Project 45068	Sheet D02
Date January 2023	
Scale NTS	

BID SET

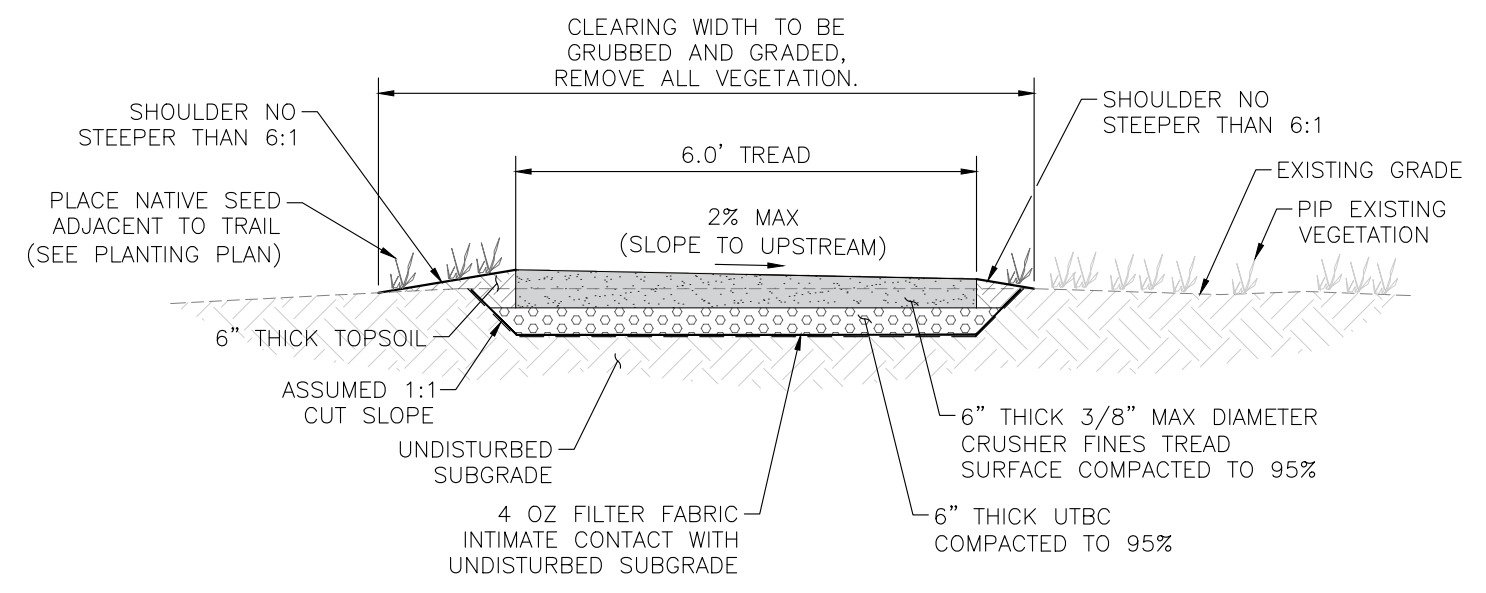


1 OVERLOOK SEATING AREA (TYP)
D03 PLAN VIEW - NTS

TRAIL NOTES

- CONTRACTOR SHALL FURNISH AND DELIVER LIMESTONE CRUSHER FINES COMPOSED OF LIMESTONE ROCK CRUSHED IN TO IRREGULAR AND ANGULAR PARTICLES. THE LIMESTONE CRUSHER FINES SHALL MEET THE FOLLOWING GRADATION SPECIFICATIONS:

SIEVE SIZE	PERCENT PASSING
3/8-INCH (9.52 mm)	100%
NO. 4 (4.76 mm)	75 TO 92%
NO. 8 (2.38 mm)	50 TO 72%
NO. 16 (1.19 mm)	38 TO 55%
NO. 40 (0.42 mm)	20 TO 40%
NO. 100 (0.149 mm)	10 TO 22%
NO. 200 (0.074 mm)	8 TO 15%



2 ACCESS TRAIL - CRUSHER FINES (TYP)
D03 SECTION VIEW - NTS

RIVERTON BANK ACCESS
ACCESS TRAIL & UPLAND FEATURE
DETAILS

No.	REVISION/UPDATE	Date

CLIENT NAME AND ADDRESS

Riverton City
12830 S Redwood Road
Riverton, UT 84065
(801) 254-0704

RiverRestoration
P.O. Box 248
Carbondale, CO 81623
www.RiverRestoration.org

PROJECT NAME AND ADDRESS

Riverton Bank Stabilization
Riverton, UT 84065

Project 45068	Sheet D03
Date January 2023	
Scale NTS	

BID SET

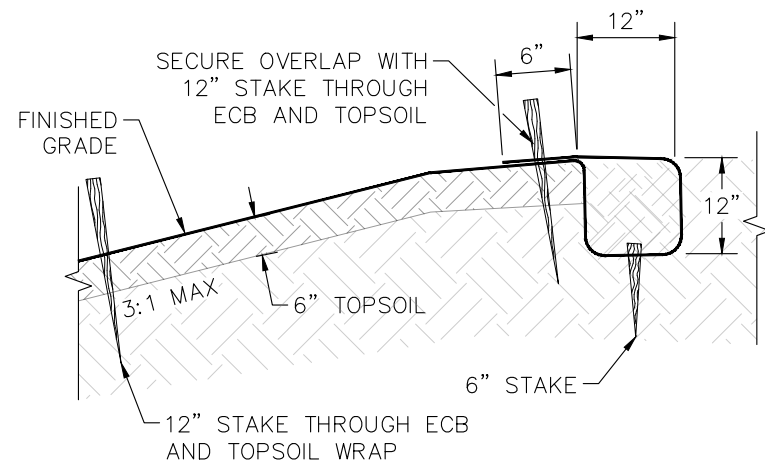


FIGURE A: SECURE ECB AT TOP OF BANK – NTS

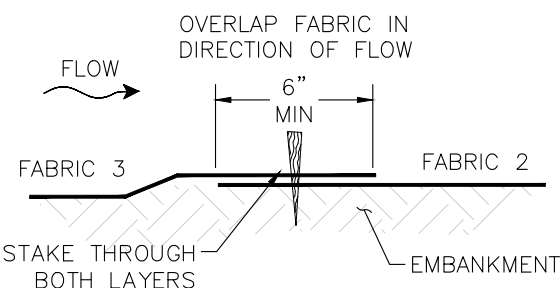


FIGURE B: CROSS SECTION VIEW OF OVERLAP – NTS

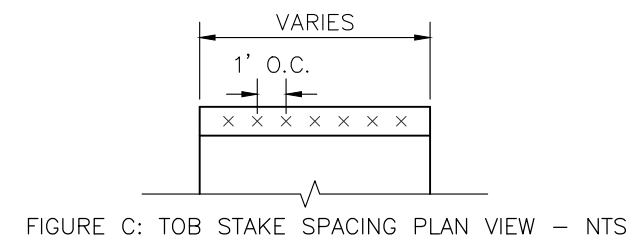
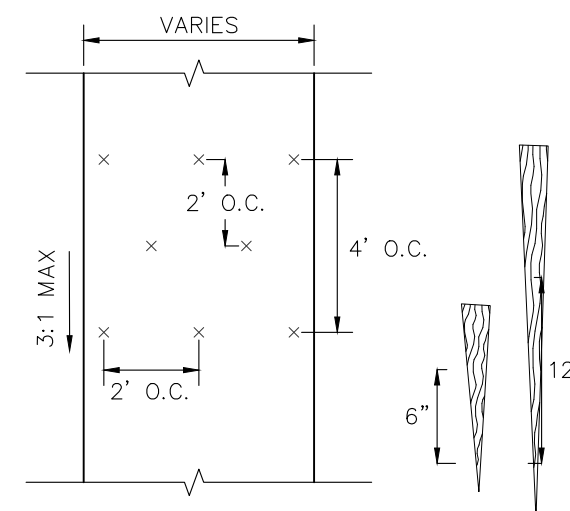


FIGURE C: TOP STAKE SPACING PLAN VIEW – NTS



× DENOTES STAKE LOCATION (APPROXIMATELY 6 STAPLES PER SY)

FIGURE D: STAKE SPACING PLAN VIEW – NTS

ECB INSTALLATION NOTES:

1. CONTRACTOR SHALL USE ALL NATURAL 100% BIODEGRADABLE COIR NORTH AMERICAN GREEN C700BN EROSION CONTROL BLANKETS (ECBs) OR APPROVED EQUIVALENT. STAKES SHALL ALSO BE 100% BIODEGRADABLE. SEE SPECIFICATIONS AND MANUFACTURER'S INSTALLATION GUIDELINES FOR ADDITIONAL INFORMATION.
2. PLACE ECB BEHIND BOULDER TOE OR WETLAND SOD TO A DEPTH OF 6" BELOW FINISHED GRADE AND SECURE IN PLACE PER STAKING PLAN (FIGURE D). ECB MUST BE PLACED LOOSELY OVER GROUND SURFACE. DO NOT STRETCH.
3. EDGES OF PARALLEL ECBs MUST BE STAKED WITH AN APPROXIMATE 6" SHIPLAP IN DIRECTION OF FLOW (FIGURE B). UPSTREAM ROLL MUST BE ON TOP OF DOWNSTREAM ROLL. IF NEEDED, CONSECUTIVE ECBs SPLICED DOWNSLOPE MUST BE OVERLAPPED END-OVER-END (SHINGLED) WITH AN APPROXIMATE 3" OVERLAP.
4. IN THE FOLLOWING ORDER, APPLY TOPSOIL, SEED MIX, THEN WRAP ECB AT THE TOE TOWARDS THE TOP OF BANK.
5. EXCAVATE A 1.0' WIDE BY 1.0' DEEP TRENCH 5' BEHIND THE TOP OF THE SLOPE. THE TRENCH SHALL RUN ALONG THE LENGTH OF THE INSTALLATION. STAKE ECB ALONG BOTTOM OF TRENCH, FILL WITH COMPACTED SOIL, OVERLAP ECB TOWARDS TOE OF SLOPE, AND SECURE WITH 6" STAKES EVERY 1.0' (FIGURES A&C).

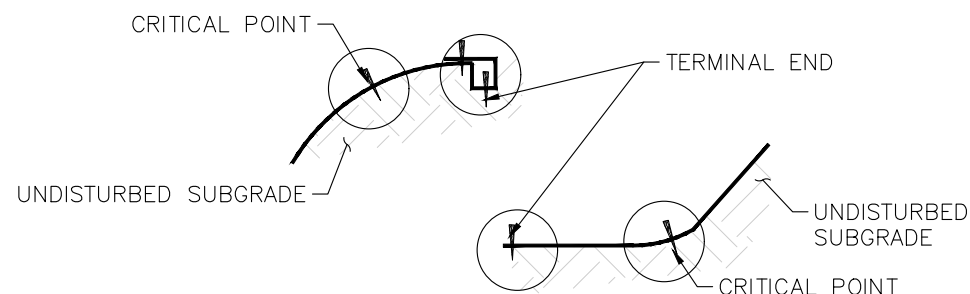
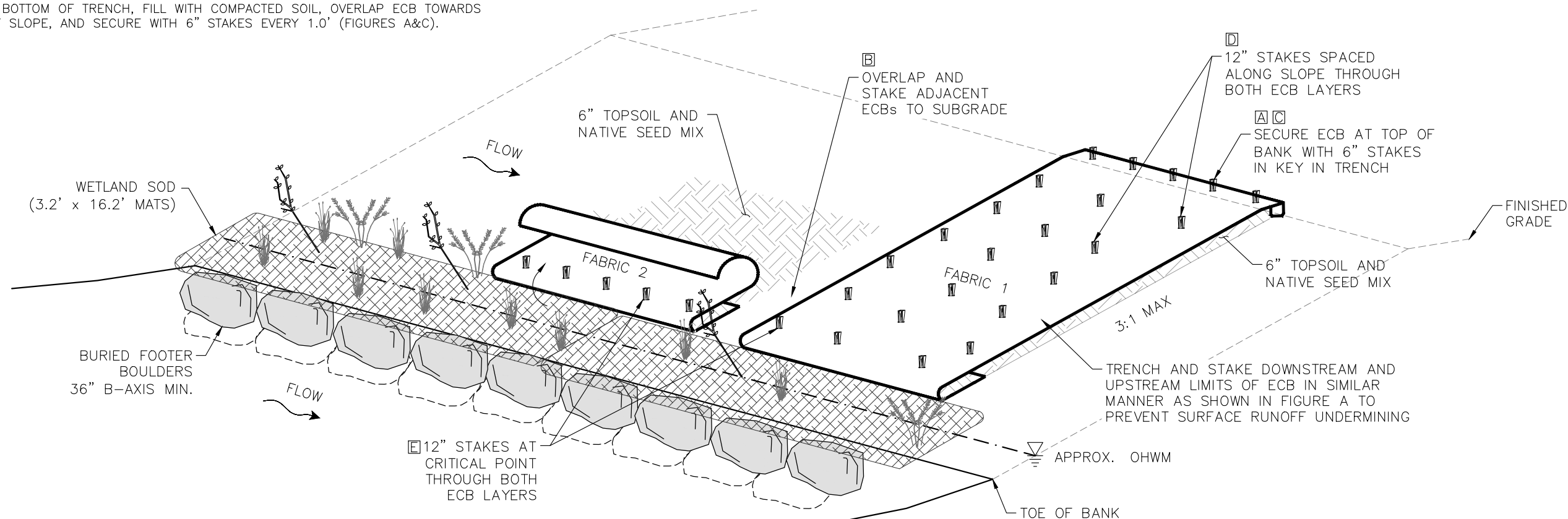


FIGURE E: CRITICAL POINT SECURING – NTS



1 EROSION CONTROL BLANKET INSTALLATION (TYP)
D07 NTS

BID SET

RIVERTON BANK ACCESS
EROSION CONTROL BLANKET
DETAILS

No.	REVISION/UPDATE	Date

CLIENT NAME AND ADDRESS



Riverton City
12830 S Redwood Road
Riverton, UT 84065
(801) 254-0704



RiverRestoration
P.O. Box 248
Carbondale, CO 81623
www.RiverRestoration.org

PROJECT NAME AND ADDRESS

Riverton Bank Stabilization
Riverton, UT 84065

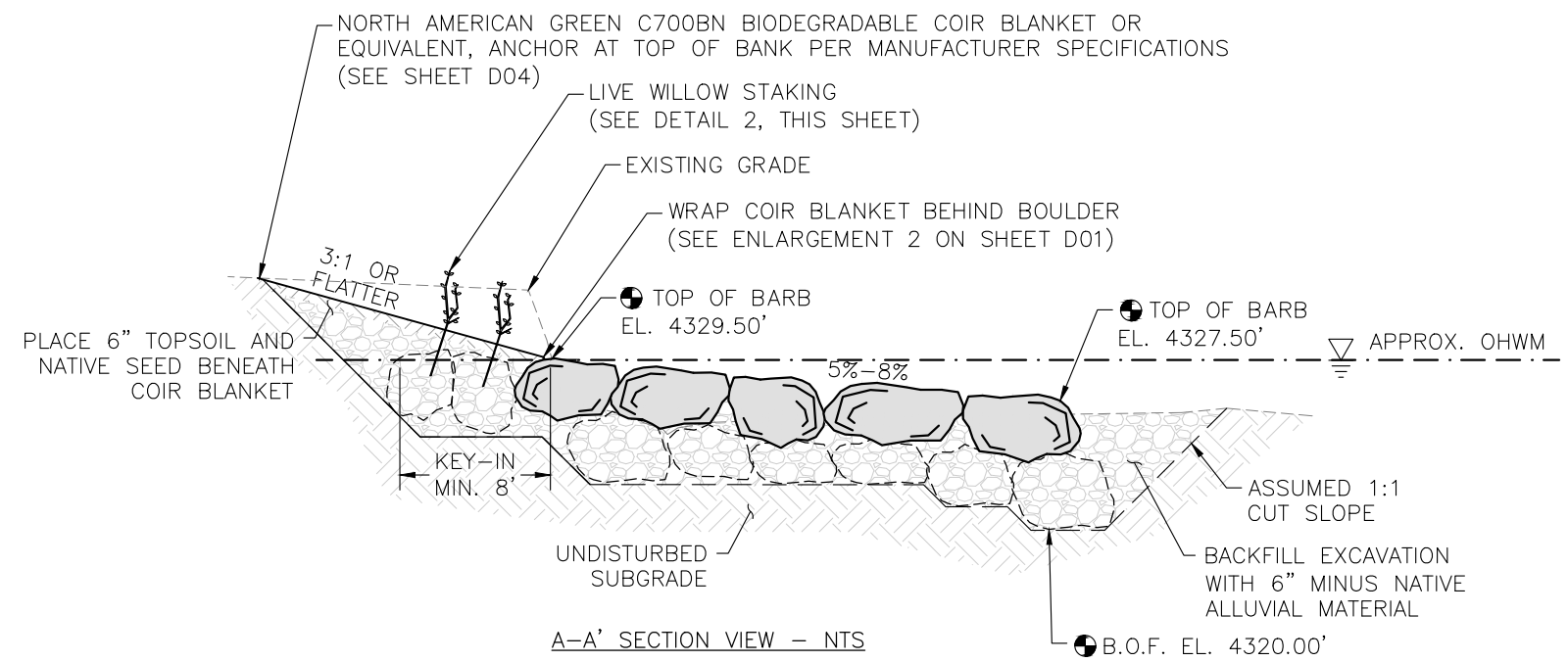
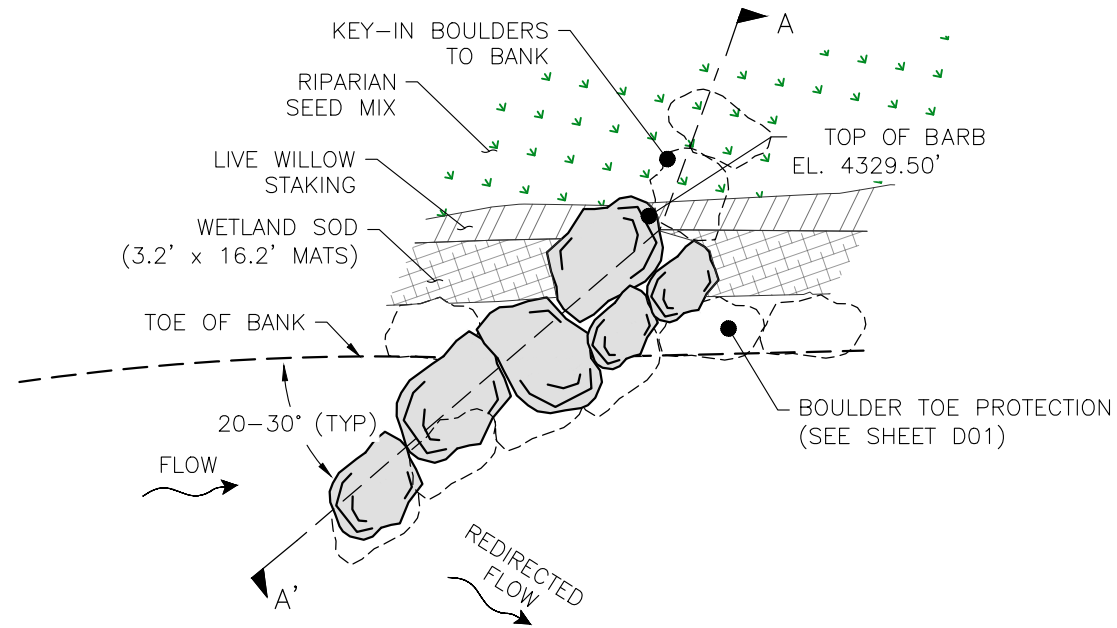
Project
45068

Date
January 2023

Scale
NTS

Sheet

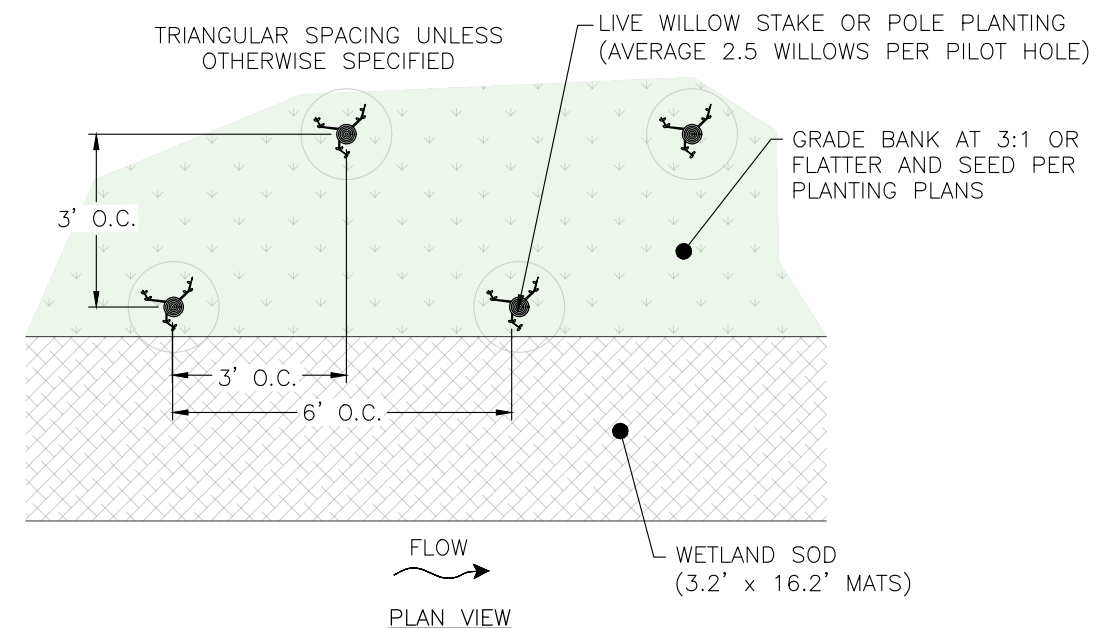
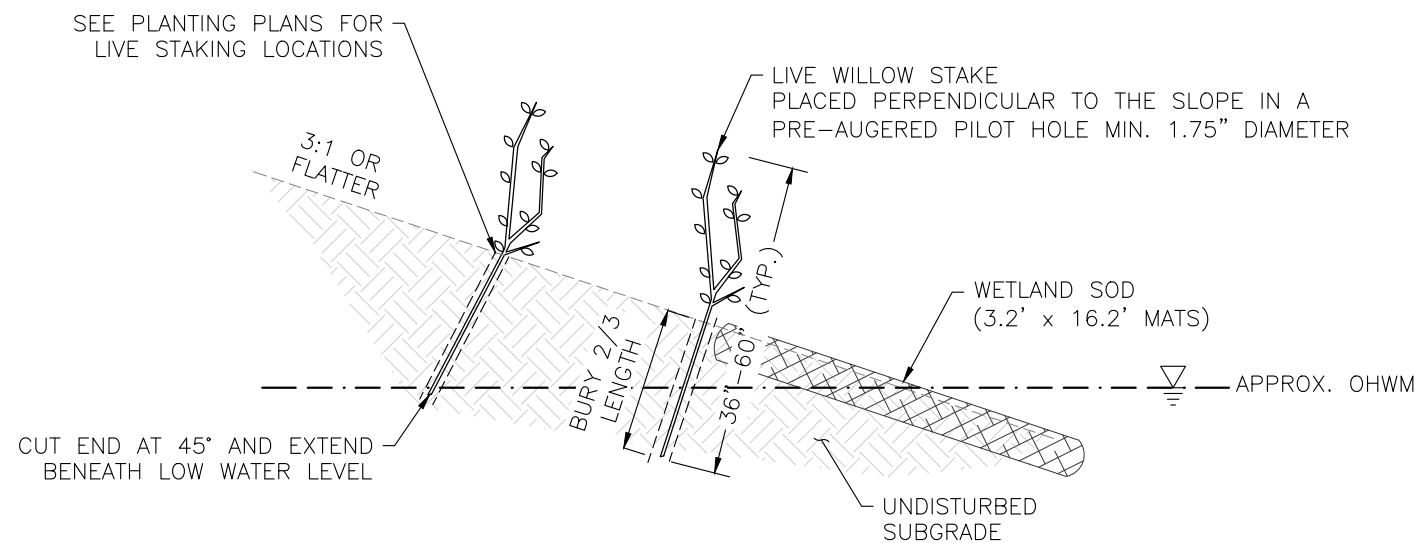
D04



ROCK BARB (TYP)
PLAN VIEW - NTS

LIVE STAKING NOTES:

1. WILLOW STAKES SHALL BE PLACED RANDOMLY AT A RATE OF 2 HOLES EVERY 3 LINEAR FOOT OF BANK. INSTALL 2.5 LIVE STAKES (AVERAGE) PER HOLE.
2. CUTTINGS SHALL BE NATIVE WILLOWS, 0.75"-1.5" IN DIAMETER AND 36"-60" IN LENGTH.
3. CUTTINGS SHALL BE TAKEN FROM THE BASE OF THE STEMS. CUT THE BOTTOMS AT A 45 DEG. ANGLE AND THE TOPS FLAT. PLANT THE CUTTINGS WITH THEIR BASES AT LOW WATER ELEVATION.
4. CUTTINGS SHALL BE STRIPPED OF LEADERS, AND LONG BRANCHES TO AVOID EXCESS DRYING.
5. CUTTINGS SHOULD BE BUNDLED IN GROUPS OF 10, 25, OR 50 BY LIKE SPECIES FOR EASE OF COUNTING AND STORED IN WATER AND SHADE FOR AT LEAST 2 AND NO MORE THAN 60 DAYS BEFORE PLANTING.



2 LIVE STAKING (TYP)
D05 SECTION VIEW - NTS

PROFESSIONAL ENGINEER STAMP



RIVERTON BANK ACCESS
ROCK BARB & LIVE STAKING
DETAILS

No.	REVISION/UPDATE	Date

CLIENT NAME AND ADDRESS



RiverRestoration
P.O. Box 248
Carbondale, CO 81623
www.RiverRestoration.org

PROJECT NAME AND ADDRESS

Riverton Bank Stabilization
Riverton, UT 84065

Project
45068

Date
January 2023

Scale
NTS

Sheet

D05

BID SET